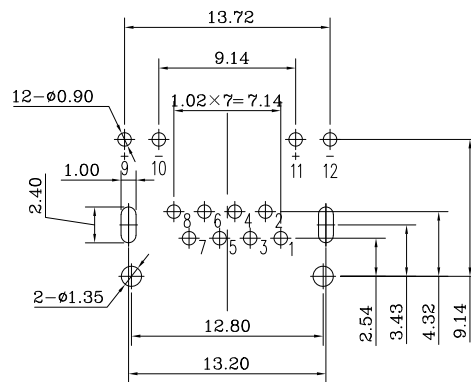
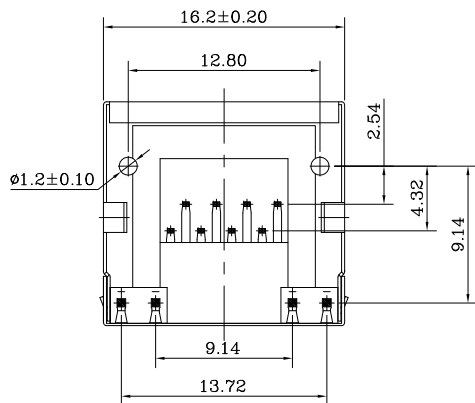
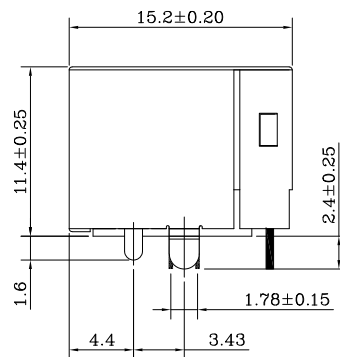
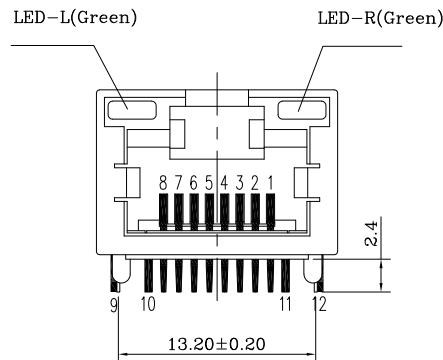


# MECHANICAL:



PC Board Layout  
Top View

## SPECIFICATION NOTES:

### ELECTRICAL:

- VOLTAGE RATING: 125 VAC RMS
- CURRENT RATING: 1.5 AMP
- CONTACT RESISTANCE: 30mΩ MAX.
- INSULATION RESISTANCE: 500MΩMIN. AT 500V DC.
- DIELECTRIC STRENGTH: 1000 VAC 50Hz 1MINUTE

### MECHANICAL:

- HOUSING/INSERT MATERIAL:  
THERMOPLASTIC, LCP UL94V-0, COLOR BLACK
- CONTACT MATERIAL: PHOSPHOR BRONZE T=0.35mm
- PLATING: GOLD PLATING OVER NICKEL, PLATED NICKEL 30-50U". SN 100-120U. GOLD PLATED ON CONTACT AREA FU/3U/6U/15U/30U"
- OPERATING LIFE: 750 CYCLES MIN.

### ENVIRONMENTAL:

- STORAGE: -40° C TO +85° C
- OPERATION: 0° C TO 75° C

LED ELECTRICAL CHARACTERISTIC				
	Green	Green		
	9-10	11-12		
	LEFT LED		RIGHT LED	
Standard LED	Wavelength	Forward V (Min/Max)	Forward A	Type
Green	568nm	1.8V/2.8V	20mA	squareness
Yellow	585nm	1.8V/2.8V	20mA	squareness
Orange	610nm	1.8V/2.8V	20mA	squareness



Champyang International Ltd., Co

FILE NO :	ARJ19 ( Series)	TITLE	Shielded RJ45 Modular Jack, Through Hole Type, 1X1 Ports	UNIT	mm inch
TOLERANCE(公差):	0.000 mm ± 0.10 mm 0.00 mm ± 0.25 mm 0.0 mm ± 0.30 mm	PART NO.	ARJ19-010808-F41-SOL4	SCALE	1:1
A0	RELEASED	Allen	2021-10-20	REV.	A.0
REV	DESCRIPTION.	APPD.	Date	CHECKED BY	Allen

DATE	2021-10-20	DATE	2021-10-20	REV.	A.0
DATE	2021-10-20	DATE	2021-10-20	REV.	A.0