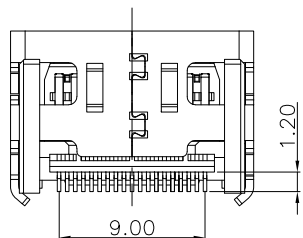
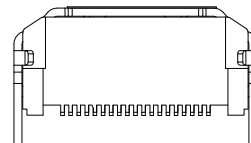
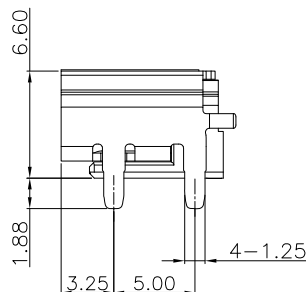
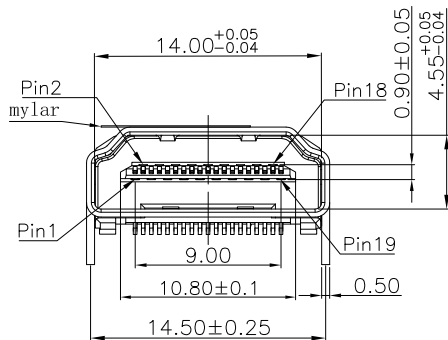
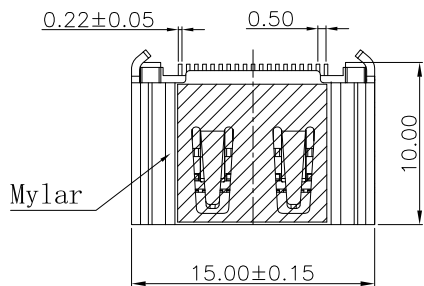
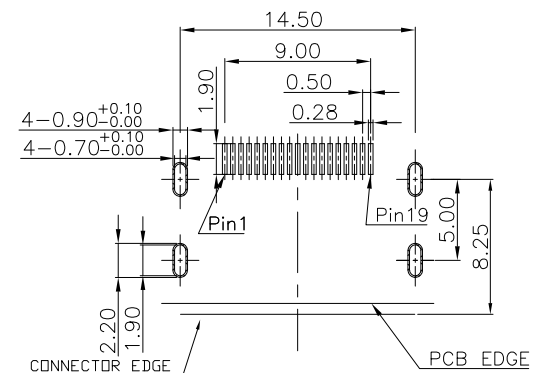


MECHANICAL:



SPECIFICATIONS:

1. ELECTRICAL CHARACTERISTICS
  - 1-1. CURRENT RATING: 0.5 AMP
  - 1-2. VOLTAGE RATING: 40 V
  - 1-3. CONTACT RESISTANCE: 30MILLIOHMS MAX
  - 1-4. INSULATION RESISTANCE:100M MIN.@500V DC
  - 1-5. DIELECTRIC WITHSTANDING VOLTAGE: 500V AC FOR 1 MINUTE
2. MECHANICAL CHARACTERISTICS:
  - 2-1. INSERTION FORCE : 4.5KGF MAX.
  - 2-2. WITHDRAWING FORCE : 1KGF ~ 4KGF.
3. LIFE TEST: 10000 CYCLES
4. OPERATING TEMPERATURE: -25°C TO +85°C



RECOMMENDED PCB LAYOUT (TOP VIEW)  
TOLERANCE: ±0.05mm

D	MYLAR	1	PI FILM BROWN
C	SHELL	1	C2680R-H Ni 50u" T=0.5mm PLATING ALL OVER
B	TERMINAL	19	C2680R-H SEE PART NO.
A	HOUSING	1	LCP E130i UL94V-0 BLACK
NO	PART NAME	QTY	MATERIAL PLATING & COLOR



Champyang International Ltd., Co

AO	RELEASED	Allen	2022-03-29
REV	DESCRIPTION.	APPD.	Date

FILE NO : AHD14 ( Series)		TITLE 圖名		HDMI反向SMT式,銅殼鍍鎳,端子 半金亮錫1u"		UNIT 單位	mm inch
TOLERANCE(公差): 0.000 mm ± 0.15 mm 0.00 mm ± 0.25 mm 0.0 mm ± 0.35 mm		PART NO. 料號		AHD14-341-DR-A		SCALE 比例	1:1
		DRAWN BY 製圖		Ray	DATE 日期	2022-03-29	REV. 版本
		CHECKED BY 審核		Allen	DATE 日期	2022-03-29	