

L K J I H

3

2

1

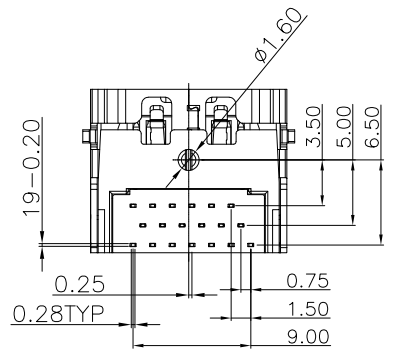
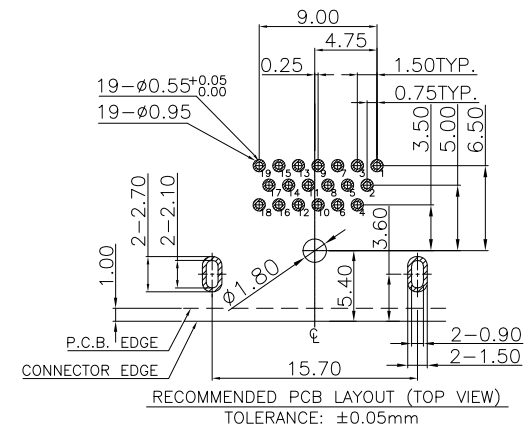
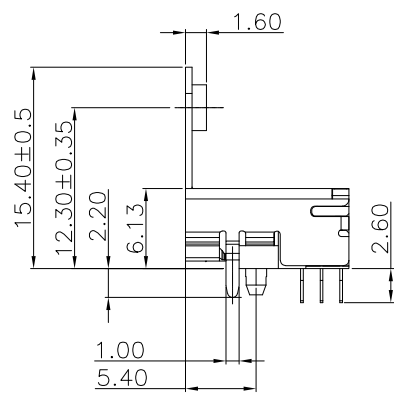
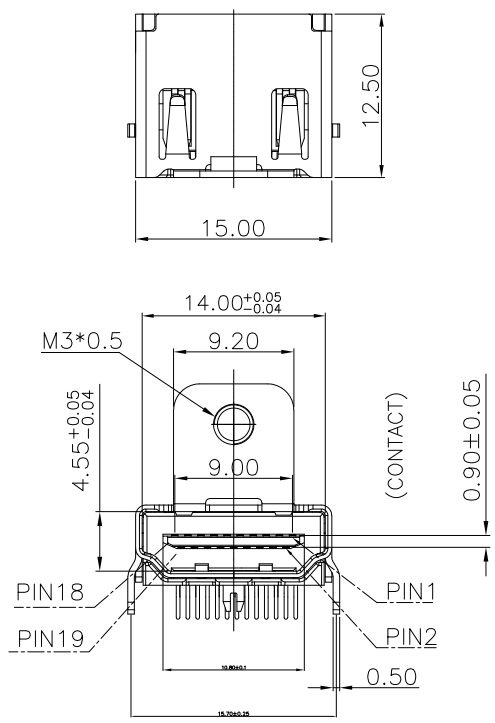
4

5

6

SPECIFICATIONS:

1. ELECTRICAL CHARACTERISTICS
 - 1-1. CURRENT RATING: 0.5 AMP
 - 1-2. VOLTAGE RATING: 40 V
 - 1-3. CONTACT RESISTANCE: 30MILLIOHMS MAX
 - 1-4. INSULATION RESISTANCE: 100M MIN.@500V DC
 - 1-5. DIELECTRIC WITHSTANDING VOLTAGE: 500V AC FOR 1 MINUTE
2. MECHANICAL CHARACTERISTICS:
 - 2-1. INSERTION FORCE : 4.5KGF MAX.
 - 2-2. WITHDRAWING FORCE : 1KGF ~ 4KGF.
3. LIFE TEST: 10000 CYCLES
4. OPERATING TEMPERATURE: -25°C TO +85°C



| | | | |
|----|-----------|-----|---|
| D | SHELL | 1 | C2680R-H Ni 50u" T=0.5mm PLATING ALL OVER |
| C | TERMINAL | 19 | C2680R-H,T=0.2±0.01mm. 1u" AU PLATED ON CONTACT AREA, 80u"~120u" TIN PLATED ON SOLDER TAILS |
| B | COVER | 1 | LCP E130i UL94V-0 BLACK |
| A | HOUSING | 1 | LCP E130i UL94V-0 BLACK |
| NO | PART NAME | QTY | MATERIAL PLATING & COLOR |



Champyang International Ltd., Co

| | | | |
|-----|--------------|-------|------------|
| AO | RELEASED | Allen | 2022-02-23 |
| REV | DESCRIPTION. | APPD. | Date |

| | | | | | | | |
|--|--|------------------|--|---|------------|-------------|------------|
| FILE NO : AHD11 (Series) | | TITLE 圖名 | | HDMI DIP三排 全包式銅殼鍍線 兩K腳 四正反彈片 柱子直徑1.6 螺孔高12.3 | | UNIT 單位 | mm inch |
| TOLERANCE(公差): 0.000 mm ± 0.075 mm 0.00 mm ± 0.15 mm 0.0 mm ± 0.25 mm | | PART NO. 料號 | | AHD11-0119-141-A1 | | SCALE 比例 | 1:1 |
| | | DRAWN BY 製圖 | | Ray | DATE 日期 | 2022-02-23 | REV. 版本 |
| | | CHECKED BY 審核 | | Allen | DATE 日期 | 2022-02-23 | |