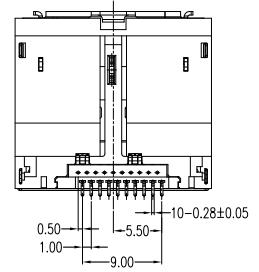
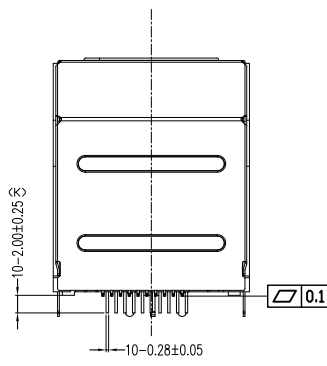
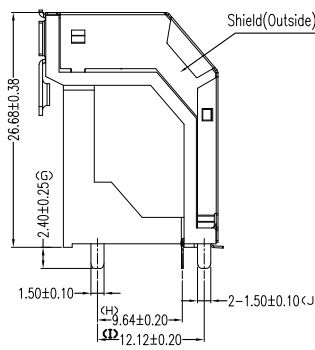
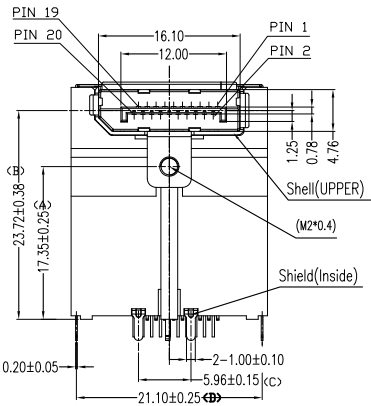
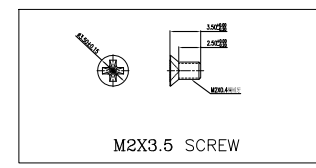


RECOMMENDED P.C.B. LAYOUT
TOLERANCE ±0.05
TOP VIEW
INSPECTION DIMENSION (A)~(K)



SOURCE SIDE		SINK SIDE	
PIN NO.	PIN NAME	PIN NO.	PIN NAME
1	ML_Lane 0 (p)	1	ML_Lane 3 (n)
2	GND	2	GND
3	ML_Lane 0 (n)	3	ML_Lane 3 (p)
4	ML_Lane 1 (p)	4	ML_Lane 2 (n)
5	GND	5	GND
6	ML_Lane 1 (n)	6	ML_Lane 2 (p)
7	ML_Lane 2 (p)	7	ML_Lane 1 (n)
8	GND	8	GND
9	ML_Lane 2 (n)	9	ML_Lane 1 (p)
10	ML_Lane 3 (p)	10	ML_Lane 0 (n)
11	GND	11	GND
12	ML_Lane 3 (n)	12	ML_Lane 0 (p)
13	CONFIG1	13	CONFIG1
14	CONFIG2	14	CONFIG2
15	AUX CH (p)	15	AUX CH (p)
16	GND	16	GND
17	AUX CH (n)	17	AUX CH (n)
18	Hot Plug Detect	18	Hot Plug Detect
19	Return	19	Return
20	DP_PWP	20	DP_PWR



SPECIFICATIONS

1. Displayport
- 1.1 Voltage: 40 VAC(RMS) Max.
- 1.2 Current Rating: 0.5 Ampere per Pontact
- 1.3 Contact Resistance: 30 Milliohms Max.
- 1.4 Insulation Resistance: 100 Megohms Min.
- 1.5 Dielectric Withstanding Voltage: 500V DC(RMS)
- 1.6 Total Mating Force: 4.5 Kgf Max.
- 1.7 Total Unmating Force: 1.0 Kgf Min.
- 1.8 Operating Temperature: -25°C to +85°C

NOTES

1. MATERIAL:
 - Housing:LCP, UL 94V-0, Color:Black.
 - Bracket:LCP, UL 94V-0, Color:Black.
 - Terminal:Copper Alloy.
 - Shell(UPPER):Stainless Steel.
 - Shield(outside):Stainless Steel.
 - Shield(inside):Stainless Steel.
 - Boardlock:SK5.
 - Screw:Steel.
2. FINISH:
 - Terminal:Selected Gold Plated in Contact Area, 100u" MIN. Tin Plated in Solder Area, 30u" MIN. Nickel Underplated Overall.
 - Shield(outside):Nickel Plated.
 - Shield(inside):Nickel Plated.
 - Screw:Nickel Plated.
 - Boardlock:Tin Plated.
3. This Product is RoHS Compliance Product.



Champyang International Ltd., Co

A0	RELEASED	Allen	2019-10-04
REV	DESCRIPTION.	APPD.	Date

FILE NO : ADP04 (Series)		TITLE 圖名		DOUBLE DISPLAYPORT CONNECTOR		UNIT 單位	mm inch
TOLERANCE(公差): 0.000 mm ± 0.13 mm 0.00 mm ± 0.25 mm Ang: 0.0 = ±2°		PART NO. 料號		ADP04-20S-1x83G14N0		SCALE 比例	1:1
		DRAWN BY 製圖		Ben	DATE 日期	2019-10-04	REV. 版本
		CHECKED BY 審核		Allen	DATE 日期	2019-10-04	A0