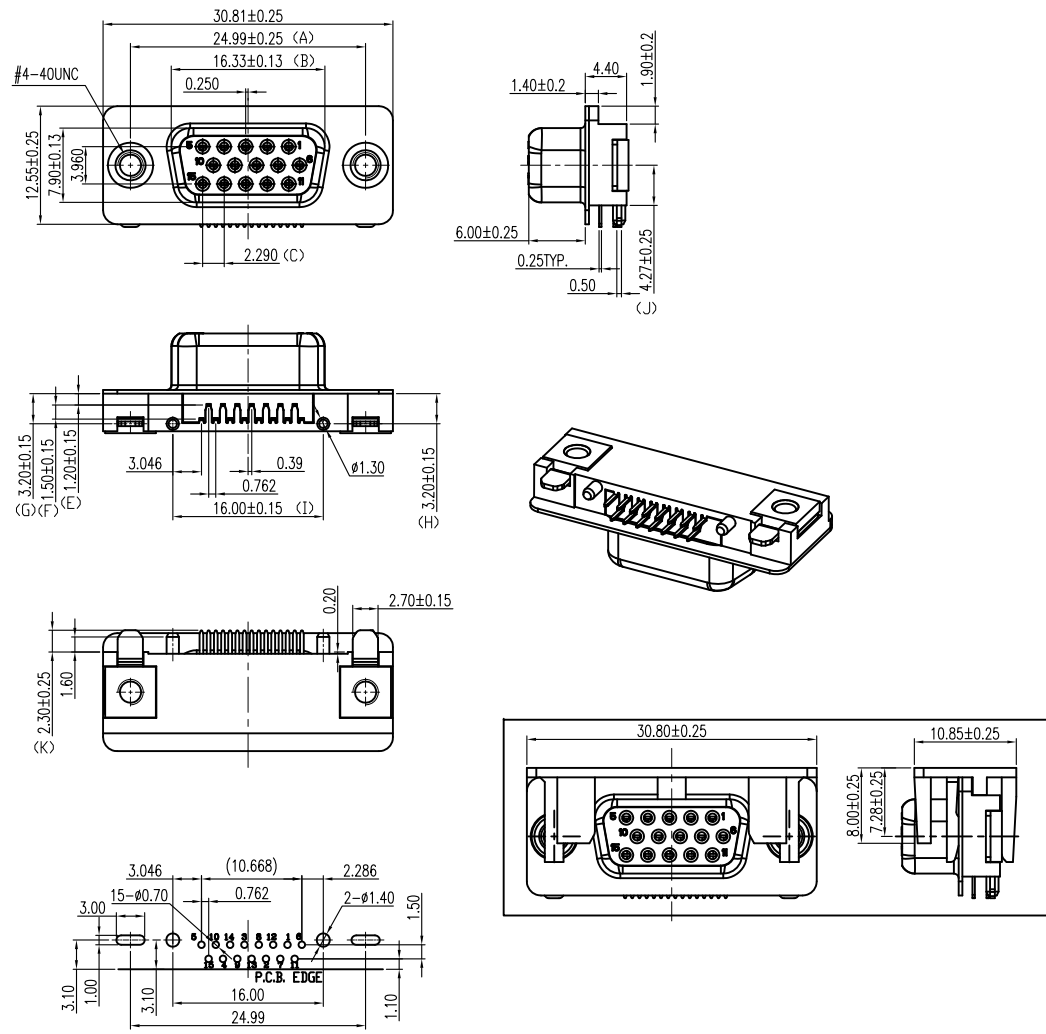


SPECIFICATIONS

- 1. D-SUB
- 1.1 Voltage: 250 VAC(RMS) Max.
- 1.2 Current Rating: 3 Ampere per Contact
- 1.3 Contact Resistance: 25 Milliohms Max.
- 1.4 Insulation Resistance: 1000 Megohms Min.
- 1.5 Dielectric Withstanding Voltage: 500V AC(RMS)
- 1.6 Total Mating Force: 6.0 Kgf Max.
- 1.7 Total Unmating Force: 1.2 Kgf Min.
- 1.8 Operating Temperature: -55°C to +85°C
- 1.9 Screw Locking Force: 2.5±0.2 Kgf.cm
- 2.0 Screw Back Force: 1.0 Kgf Min.

NOTES

- 1. MATERIAL:
 - Housing:LCP Halogen-free UL 94V-0, Color:Blue(661C).
 - CAP:LCP Halogen-free UL 94V-0, Color:Black.
 - Terminal:Copper Alloy.
 - Shell:SPCC.
 - Boardlock:Copper Alloy.
 - Rivet:Copper Alloy
- 2. FINISH:
 - Terminal:Gold Plated over Nickel at Contact Area.
 - Tin Plated over Nickel at Solder Ared.
 - Shell:Nickel Plated.
 - Boardlock:Tin Plated.
 - Rivet:Nickel Plated.
- 3. This Product is RoHs & HALOGEN-FREE



RECOMMENDED P.C.B LAYOUT
INSPECTION DIMENSION:(A)~(K)



Champyang International Ltd., Co

A0	RELEASED	Allen	2019-10-07
REV	DESCRIPTION.	APPD.	Date

FILE NO: ADA03 (Series)		TITLE 圖名		D-SUB 15 FEMALE HIGH DENSITY CONNECTOR DIP SOLDER,RICH ANGLE		UNIT 單位	mm inch
TOLERANCE(公差): 0.000 mm ± 0.13 mm 0.00 mm ± 0.25 mm		PART NO. 料號		ADA03-H7S-3x2A124HF-T		SCALE 比例	1:1
ANGULAR ±2°		DRAWN BY 製圖	Ben	DATE 日期	2019-10-07	REV. 版本	A0
		CHECKED BY 審核	Allen	DATE 日期	2019-10-07		