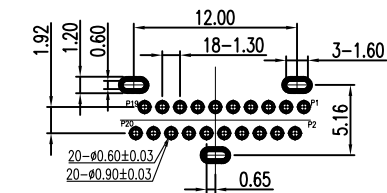
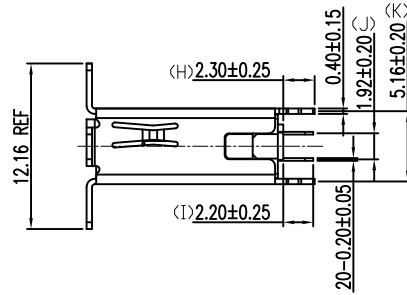
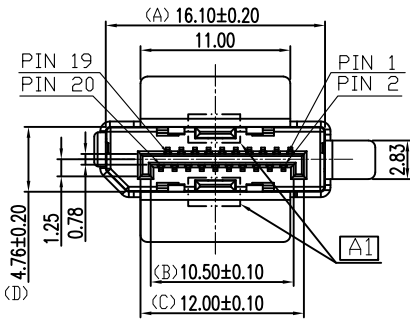
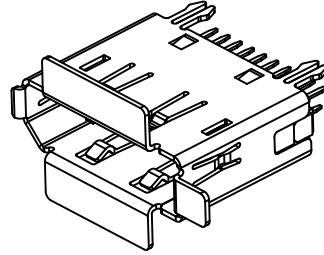
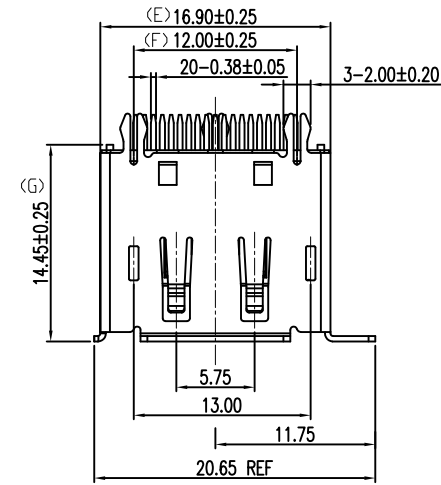


### SPECIFICATIONS

1. HDMI
- 1.1 Voltage: 40 VAC(RMS) Max.
- 1.2 Current Rating: 0.5 Ampere per Contact
- 1.3 Contact Resistance: 30 Milliohms Max.
- 1.4 Insulation Resistance: 100 Megohms Min.
- 1.5 Dielectric Withstanding Voltage: 500 VAC(RMS)
- 1.6 Total Mating Force: 4.5 Kgf Max.
- 1.7 Total Unmating Force: 1.0 Kgf Min.
- 1.8 Operating Temperature: -55°C to +85°C

### NOTES

1. MATERIAL:  
Housing:LCP, UL 94V-0, Color:Black.  
Terminal:Copper Alloy.  
Shell:Brass.
2. FINISH:  
Terminal:Gold Plated over Nickel at Contact Area.  
Tin Plated over Nickel at Solder Ared.  
Shell:Solderable Nickel Plated.
3. This Product is RoHS Compliance Product.



RECOMMENDED P.C.B. LAYOUT  
INSPECTION DIMENSION:(A)~(K)



Champyang International Ltd., Co

A0	RELEASED	Allen	2019-10-07
REV	DESCRIPTION.	APPD.	Date

FILE NO : ADP02 ( Series)		TITLE 圖名		DP 20-POS. FEMALE STRAIGHT DIP		UNIT 單位	mm inch
TOLERANCE(公差): 0.000 mm ± 0.13 mm 0.00 mm ± 0.25 mm		PART NO. 料號		ADP02-20S-1x83014N0		SCALE 比例	1:1
ANGULAR ±2°		DRAWN BY 製圖		Ben	DATE 日期	2019-10-07	REV. 版本
		CHECKED BY 審核		Allen	DATE 日期	2019-10-07	