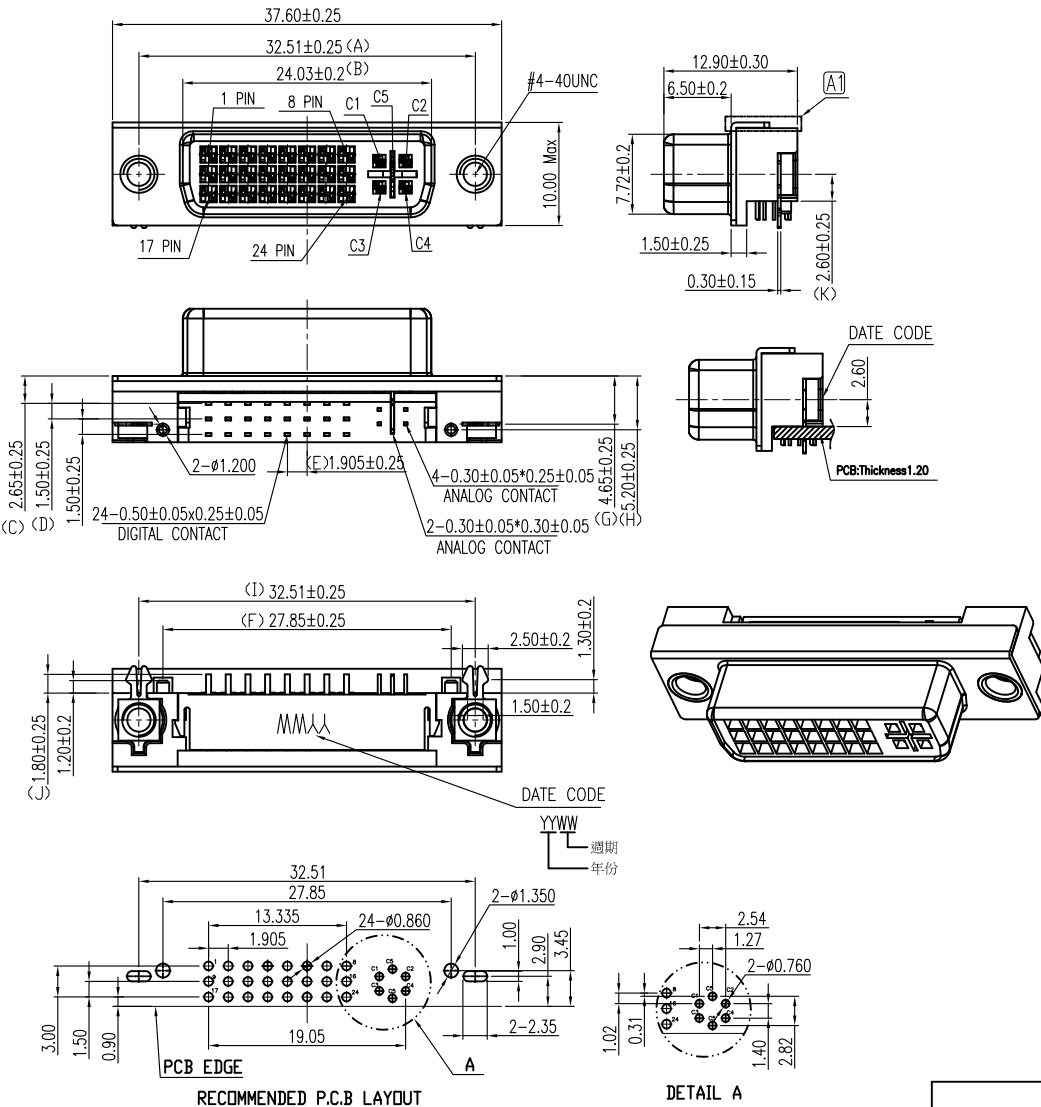


SPECIFICATIONS

1. DVI-D
- 1.1 Voltage: 40 VAC(RMS) Max.
- 1.2 Current Rating: 1.5 Ampere per Contact
- 1.3 Contact Resistance: 20 Milliohms Max.
- 1.4 Insulation Resistance: 1000 Megohms Min.
- 1.5 Dielectric Withstanding Voltage: 500V DC(RMS)
- 1.6 Total Mating Force: 4.5 Kgf Max.
- 1.7 Total Unmating Force: 1.0 Kgf Min.
- 1.8 Operating Temperature: -55°C to +85°C

NOTES

1. MATERIAL:
 - Housing:LCP, UL 94V-0, Color:Black.
 - Latch:LCP, UL 94V-0, Color:Black.
 - Terminal:Brass.
 - Shell:SPCC.
 - Boardlock:Steel.
 - Rivet:Free-cutting Brass.
2. FINISH:
 - Terminal:Selected Gold Plated in Contact Area, 100u" MIN. Tin Plated in Solder Area, 30u" MIN. Nickel Underplated Overall.
 - Shell:Nickel Plated.
 - Boardlock:Tin Plated.
 - Rivet:Nickel Plated.
3. This Product is LEAD-FREE & RoHS Compliance Product.



RECOMMENDED P.C.B LAYOUT
INSPECTION DIMENSION:(A)~(K)



Champyang International Ltd., Co

| | | | | | | |
|----------------|---|------------|-----------------------|------|------------|-------|
| FILE NO: | ADV02 (Series) | TITLE | DVI-I RIGHT ANGLE | | UNIT | mm |
| TOLERANCE(公差): | 0.000 mm ± 0.13 mm 0.00 mm ± 0.25 mm | PART NO. | ADV02-V4S-1x22114D0-2 | | SCALE | 1 : 1 |
| ANGULAR | ±2° | DRAWN BY | Ben | DATE | 2019-10-07 | REV. |
| | | CHECKED BY | Allen | DATE | 2019-10-07 | A0 |
| A0 | RELEASED | APPD. | Allen | Date | | |
| REV | DESCRIPTION. | | | | | |

| | | | | | | | | | |
|---|--|---|--|---|--|---|--|---|--|
| A | | B | | C | | D | | 6 | |
|---|--|---|--|---|--|---|--|---|--|