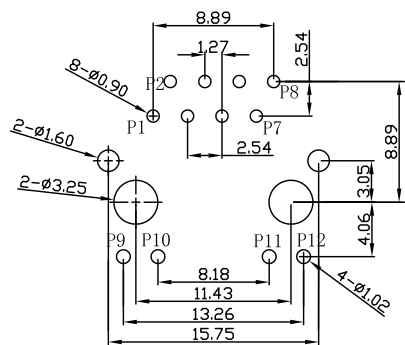
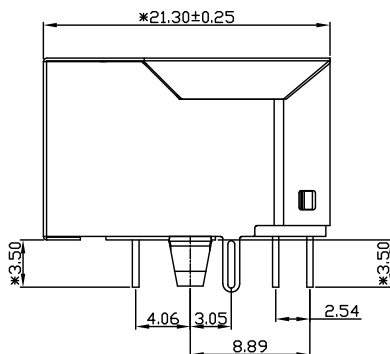
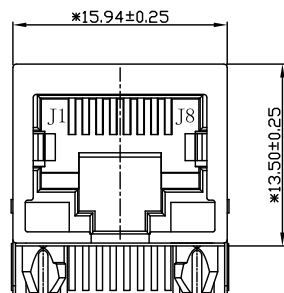
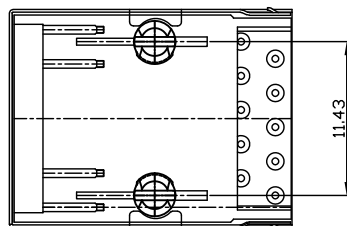


MECHANICAL:



P. C. B RECOMMENDED HOLE LAYOUT SEEN FROM COMPONENT SIDE.
ALL CENTERLINE DIMENSIONS ARE BASIC



SPECIFICATION NOTES:

ELECTRICAL:

- VOLTAGE RATING: 125 VAC RMS
- CURRENT RATING: 1.5 AMP
- CONTACT RESISTANCE: 30mΩ MAX.
- INSULATION RESISTANCE: 500MΩMIN. AT 500V DC.
- DIELECTRIC STRENGTH: 1000 VAC 50Hz 1MINUTE

MECHANICAL:

- SHIELD: BRASS T=0.2MM, Finish: 30u" Nickel
- HOUSING /INSERT MATERIAL: THERMOPLASTIC, PBT UL94V-0,COLOR BLACK
- CONTACT MATERIAL:PHOSPHOR BRONZE T=0.46MM
- PLATING:GOLD PLATING OVER NICKEL, PLATED NICKEL 30-50". SN 100-120U. GOLD PLATED ON CONTENT AREA FU/3U/6U/15U/30U/50U"
- OPERATING LIFE:750 CYCLES MIN.

ENVIRONMENTAL:

- STORAGE:-40° C TO +85° C
- OPERATION: 0° C TO 75° C

LED ELECTRICAL CHARACTERISTIC

Standard LED	Wavelength	Forward V (Min/Max)	Forward A	Type
Green	568nm	1.8V/2.8V	20mA	squareness
Yellow	585nm	1.8V/2.8V	20mA	squareness
Orange	610nm	1.8V/2.8V	20mA	squareness



Champyang International Ltd., Co

A0	RELEASED	Allen	2021-04-19
REV	DESCRIPTION.	APPD.	Date

FILE NO : ARJ09(Series)		TITLE 圖名		RJ45 8P8C SIDE ENTRY WITH LED TAB DOWN WITH SHIELDED		UNIT 單位	mm inch
TOLERANCE(公差): 0.000 mm ± 0.075 mm 0.00 mm ± 0.15 mm 0.0 mm ± 0.25 mm		PART NO. 料號		ARJ09-010808-F21-SOL1-A1		SCALE 比例	1:1
		DRAWN BY 製圖		Ray	DATE 日期	2021-04-19	REV. 版本
		CHECKED BY 審核		Allen	DATE 日期	2021-04-19	