

L K J I H

3

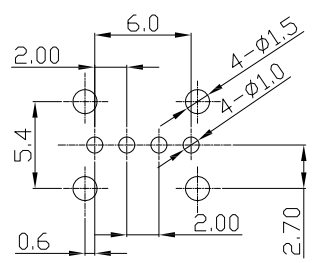
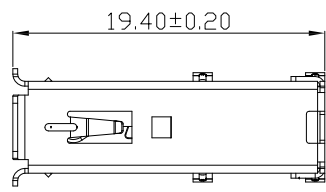
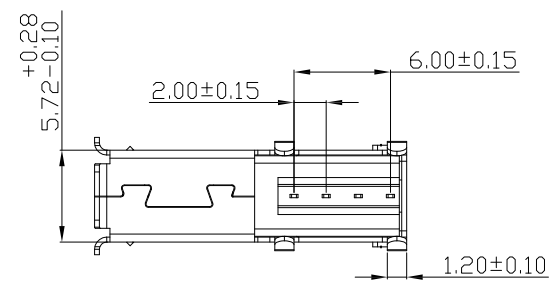
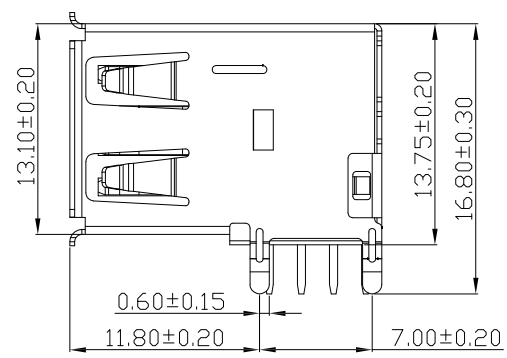
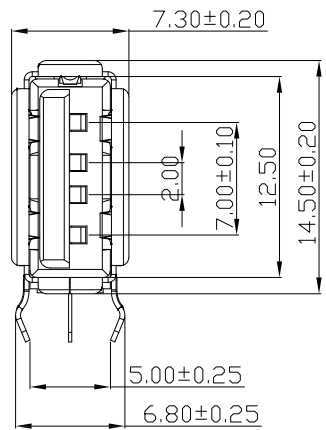
2

1

4

5

6



PCB LAYOUT (±0.05)

NOTE:

1. MATERIAL:
  - 1.1 INSULATOR:PBT BLACK, UL 94 V-0;
  - 1.2 CONTACT:C5191 (T=0.20mm)
  - 1.3 SHELL:SPCC (T=0.30mm)
2. ELECTRICAL CHARACTERISTICS;
  - 2.1 CONTACT RESISTANCE:30mΩ Max
  - 2.2 CONTACT CURRENT RATING:1.5A
  - 2.3 DIELECTRIC WITHSTANDING VOLTAGE:500 V R. M. S.
  - 2.4 INSULATION RESISTANCE 100 MEGOHMS Min
  - 2.5 OPERATING TEMPERATURE:-40° C ~ 85° C
- 3 MECHANICAL CHARACTERISTICS:
  - 3.1 MATING FORCE:35 N Max
  - 3.2 UNMATED FORCE:10 N Min INITIAL; 8 N Min AFTER TEST
  - 3.3 DURABILITY:5,000 CYCLES
4. PLATING
  - 4.1 TERMINAL CONTACT:(SEE TAB) GOLD PLATING ALL OVER 50u" MIN NICKEL AND 80u"MIN Tin ALL OVER 50u" MIN NICKEL ON SOLDER AREA
  - 4.2 SHELL:80u"MIN. NICEL ALL OVER



Champyang International Ltd., Co

A0	RELEASED	Allen	2022-02-23
REV	DESCRIPTION.	APPD.	Date

FILE NO : AU202( Series)		TITLE 圖名		USB Type A SIDE STANDING SINGLE PORT DIP 90°		UNIT 單位	mm inch
TOLERANCE(公差): 0.000 mm ± 0.15 mm 0.00 mm ± 0.25 mm 0.0 mm ± 0.30 mm		PART NO. 料號		AU202-0104-221-D-C		SCALE 比例	1:1
DRAWN BY 製圖		Ray	DATE 日期	2022-02-23	REV. 版本	A0	
CHECKED BY 審核		Allen	DATE 日期	2022-02-23			