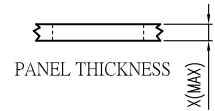
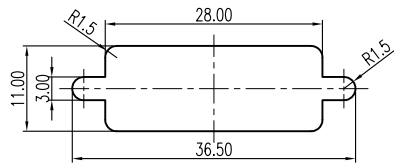
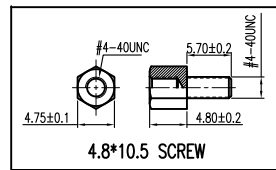
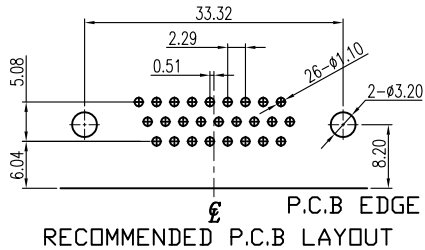
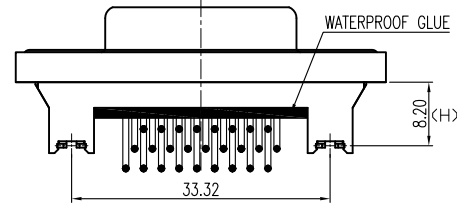
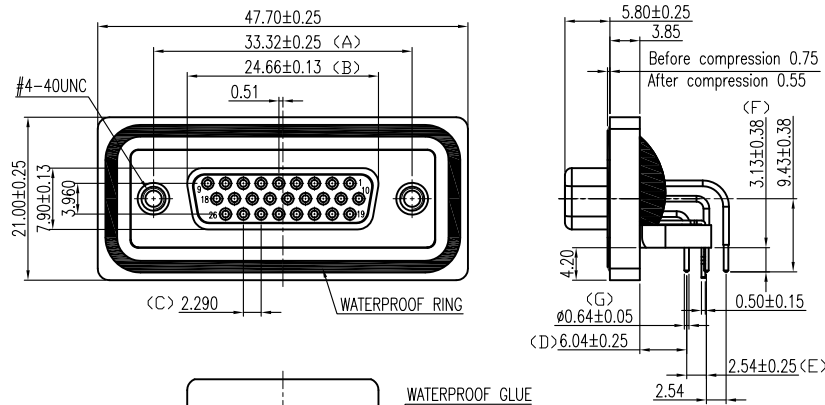


SPECIFICATIONS

1. D-SUB
- 1.1 Voltage: 250 VAC(RMS) Max.
- 1.2 Current Rating: 5 Ampere per Contact
- 1.3 Contact Resistance: 10 Milliohms Max.
- 1.4 Insulation Resistance: 5000 Megohms Min.
- 1.5 Dielectric Withstanding Voltage: 1000V AC(RMS)
- 1.6 Screwing torque : 3.0 Kgf.cm Max.
- 1.7 Total Mating Force: 12.7 Kgf Max.
- 1.8 Total Unmating Force: 2.1 Kgf Min.
- 1.9 Operating Temperature: -55°C to +85°C
- 1.10 Salt Spray: 48 Hours.
- 1.11 Waterproof Rate: IP 67 Min.

NOTES

1. MATERIAL:
 - Housing:PBT, UL 94V-0, Color:Black.
 - Terminal:Copper Alloy.
 - Shell:SPCC.
 - Boardlock:Copper Alloy.
 - Rivet:Copper Alloy.
 - Screw:Copper Alloy.
 - Waterproof Ring: Silica Gel.
 - Waterproof Glue: Epoxy.
2. FINISH:
 - Terminal:Full Gold Plated over Nickel Area.
 - Shell:Nickel Plated.
 - Boardlock:Tin Alloy.
 - Rivet:Nickel Plated.
 - Screw:Nickel Plated.
3. This Product is LEAD-FREE & RoHS Compliance Product.



Screw L=5.7 For Panel
Thickness Between 1.2~2.0mm



Champyang International Ltd., Co

A0	RELEASED	Allen	2019-10-07
REV	DESCRIPTION.	APPD.	Date

FILE NO : ADA12 (Series)		TITLE 圖名		D-SUB WATERPROOF CONNECTORS, SOLDER		UNIT 單位	mm inch
TOLERANCE(公差): 0.000 mm ± 0.13 mm 0.00 mm ± 0.25 mm		PART NO. 料號		ADA12-H2S-Lx22Q12N0		SCALE 比例	1:1
ANGULAR ±2°		DRAWN BY 製圖	Ben	DATE 日期	2019-10-07	REV. 版本	A0
		CHECKED BY 審核	Allen	DATE 日期	2019-10-07		