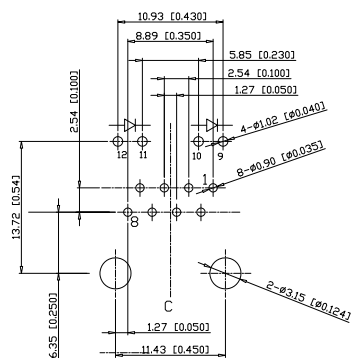
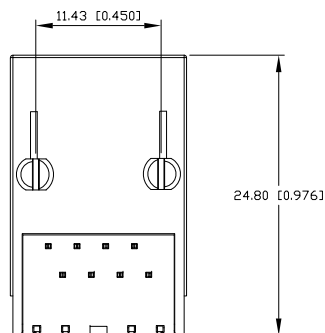
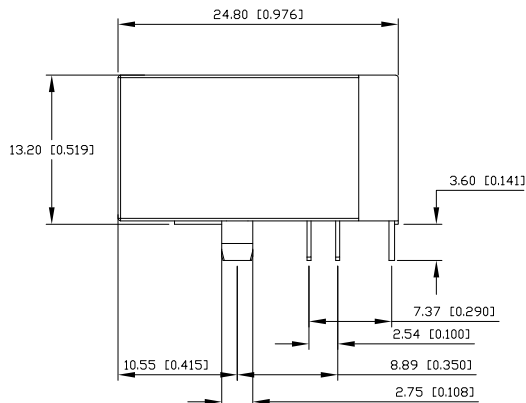
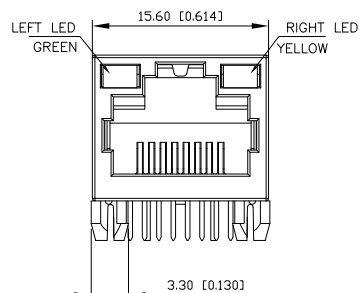


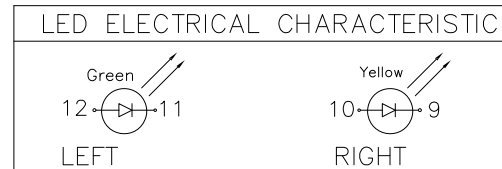
MECHANICAL:



SUGGESTED PCB LAYOUT
(TOP VIEW)

Metal Shell : Copper Alloy, Finish: 30u" Nickel
 Housing : Thermoplastic,PBT,UL 94V-0,Black
 Insert : Thermoplastic,PBT,UL 94V-0,Black
 Contact Terminal/phosphor Bronze
 6u" Gold on Contact Area, 100u" Tin on Solder,
 Both over 50u" Nickel Under-Plated
 Coil Base : Phenolic,PBT,UL 94V-0,Black
 Terminal/Copper Alloy T=0.35mm Thickness

Meets or exceeds IEEE 802.3 standard for 10/100 Base-TX
 350uH minimum OCL with 8mA Bias current
 Available with or without LEDs
 Minimum 1500Vrms isolation per IEEE802.3 requirement
 Operating temperature 0°C to +70°C
 Storage temperature -40°C to +85°C



Standard LED	Wavelength	Forward V (Min/Max)	Forward A	Type
Green	568nm	1.8v/2.8v	20mA	squareness
Yellow	585nm	1.8v/2.8v	20mA	squareness



Champyang International Ltd., Co

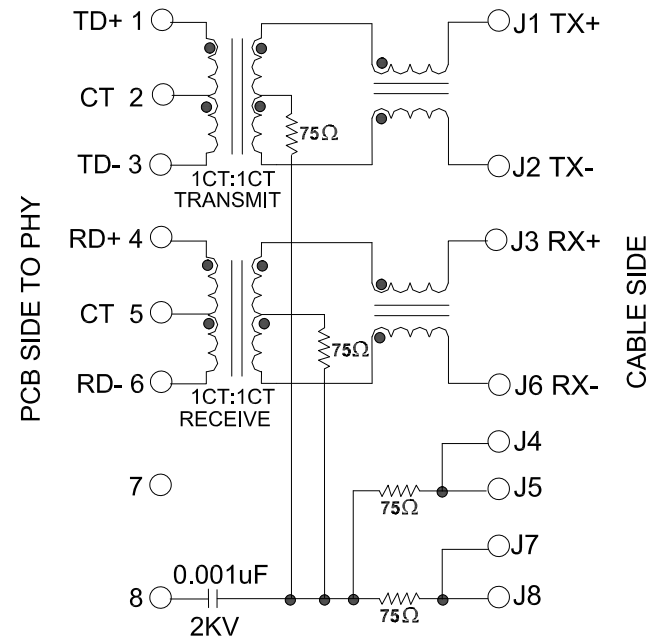
FILE NO :	ARJ11 (Series)
TOLERANCE(公差):	0.000 mm ± 0.075 mm 0.00 mm ± 0.15 mm 0.0 mm ± 0.25 mm
A0	RELEASED
REV	DESCRIPTION.

TITLE	RJ45 With Transformer 100Base Tab-up 1x1 Port with LED
PART NO.	ARJ11-010808-321-L2T11-A
DRAWN BY	Ray
CHECKED BY	Allen
DATE	2021-10-13
DATE	2021-10-13
UNIT	mm inch
SCALE	1:1
REV.	A.0

ELECTRICAL SPECIFICATIONS@25°C UNLESS OTHERWISE NOTED:

- 1.Turn Ratio(+/-2%):1CT:1CT
- 2.Inductance OCL:
350uH Min @100KHz 0.1V DC BIAS 8mA
- 3.Insertion Loss:
-1.0dB Max @1.0-100MHz
- 4.Return Loss:
-20dB Min @1-30MHz
-16dB Min @30-60MHz
-12dB Min @60-80MHz
- 5.Cross talk:
-40dB Min @1-30MHz
-35dB Min @30-80MHz
- 6.Common Mode Rejection:
-35dB Min @1-100MHz
-20dB Min @50-150MHz
- 7.HIPOT TEST:1500Vrms 1mA.Max

SCHEMATICS:



Champyang International Ltd., Co

A0	RELEASED	Allen	2020-04-23
REV	DESCRIPTION.	APPD.	Date

FILE NO : ARJ11(Series)		TITLE 圖名		RJ45 Connector With Transformer 1000Base Tab-up 1x1 Port with LED		UNIT 單位	mm inch
TOLERANCE(公差): 0.000 mm ± 0.075 mm 0.00 mm ± 0.15 mm 0.0 mm ± 0.25 mm		PART NO. 料號		ARJ11-T11		SCALE 比例	1:1
DRAWN BY 製圖		Ben	DATE 日期	2020-04-23	REV. 版本	A.0	
CHECKED BY 審核		Allen	DATE 日期	2020-04-23			