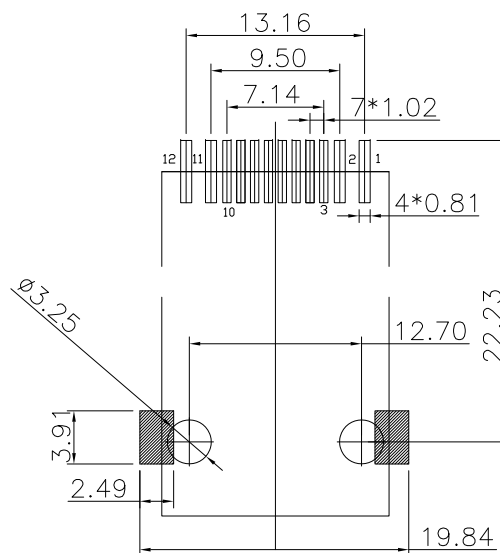
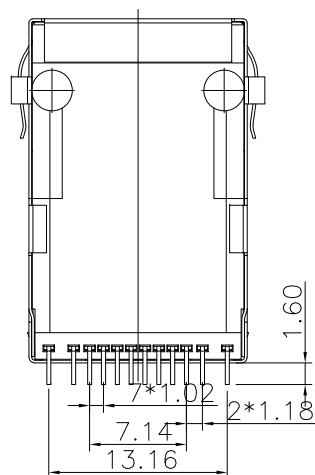
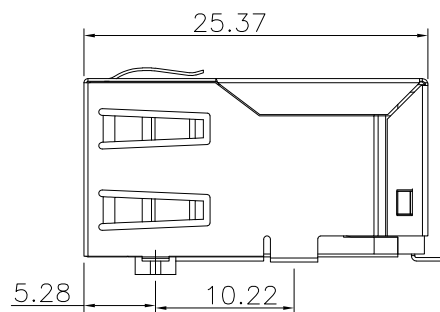
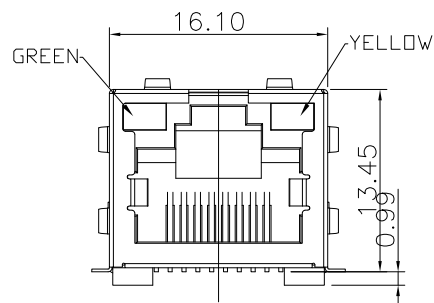


MECHANICAL:

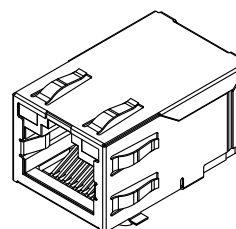


Recommended hole pattern
viewed from component side

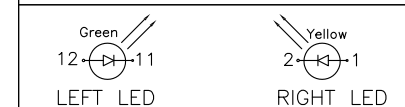
Metal Shell : Copper Alloy, Finish: 30u" Nickel
 Housing : Thermoplastic, LCP, UL 94V-0, Black
 Insert : Thermoplastic, LCP, UL 94V-0, Black
 Contact Terminal/phosphor Bronze
 6u" Gold on Contact Area, 100u" Tin on Solder,
 Both over 50u" Nickel Under-Plated

Coil Base : Terminal/Copper Alloy T=0.35mm Thickness

Meets or exceeds IEEE 802.3 standard for 10/100 Base-TX
 350uH minimum OCL with 8mA Bias current
 Available with or without LEDs
 Minimum 1500Vrms isolation per IEEE802.3 requirement
 Operating temperature 0°C to +70°C
 Storage temperature -40°C to +85°C



LED ELECTRICAL CHARACTERISTIC



Standard LED	Wavelength	Forward V (Min/Max)	Forward A	Type
Green	568nm	1.8V/2.8V	20mA	squareness
Yellow	585nm	1.8V/2.8V	20mA	squareness
Orange	610nm	1.8V/2.8V	20mA	squareness



Champyang International Ltd., Co

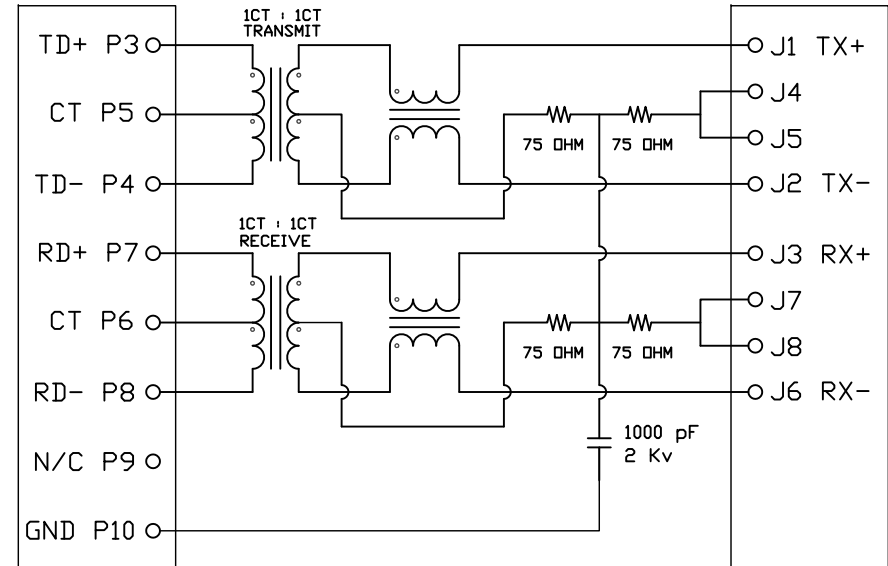
A0	RELEASED	Allen	2020-11-20
REV	DESCRIPTION.	APPD.	Date

FILE NO : ARJ15 (Series)		TITLE 圖名		RJ45 Connector With Transformer 10/100Base Tab-up 1x1 Port		UNIT 單位	mm inch
TOLERANCE(公差): 0.000 mm ± 0.075 mm 0.00 mm ± 0.15 mm 0.0 mm ± 0.25 mm		PART NO. 料號		ARJ15-010808-341-S3L21T5-B		SCALE 比例	1:1
		DRAWN BY 製圖		Ben	DATE 日期	2020-11-20	REV. 版本
		CHECKED BY 審核		Allen	DATE 日期	2020-11-20	

ELECTRICAL SPECIFICATIONS@25°C UNLESS OTHERWISE NOTED:

SCHEMATICS :

1. Turn Ratio(+/-2%):1CT:1CT
2. Inductance OCL:
350uH Min @100KHz 0.1V DC BIAS 8mA
3. Insertion Loss:
-1.0dB Max @1.0-100MHz
4. Return Loss:
-20dB Min @1-30MHz
-16dB Min @30-60MHz
-12dB Min @60-80MHz
5. Cross talk:
-40dB Min @1-30MHz
-35dB Min @30-80MHz
6. Common Mode Rejection:
-35dB Min @1-100MHz
-20dB Min @50-150MHz
7. HIPOT TEST:1500Vrms 1mA.Max

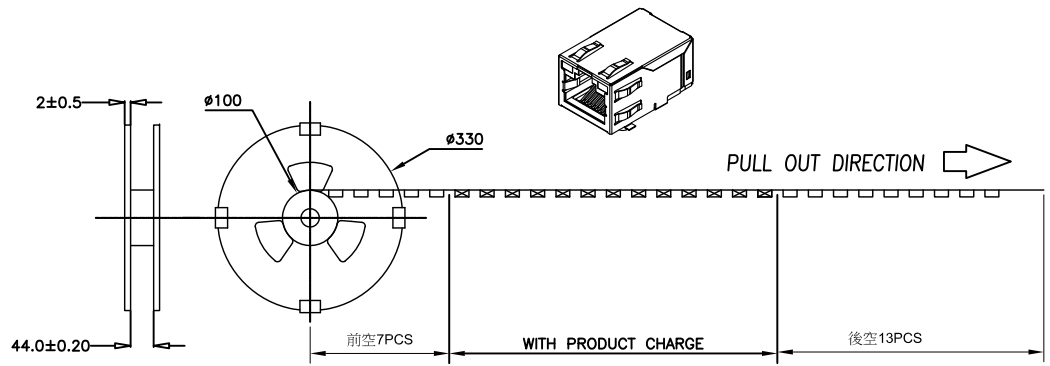


Champyang International Ltd., Co

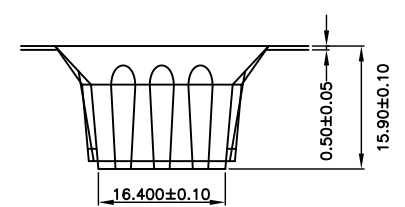
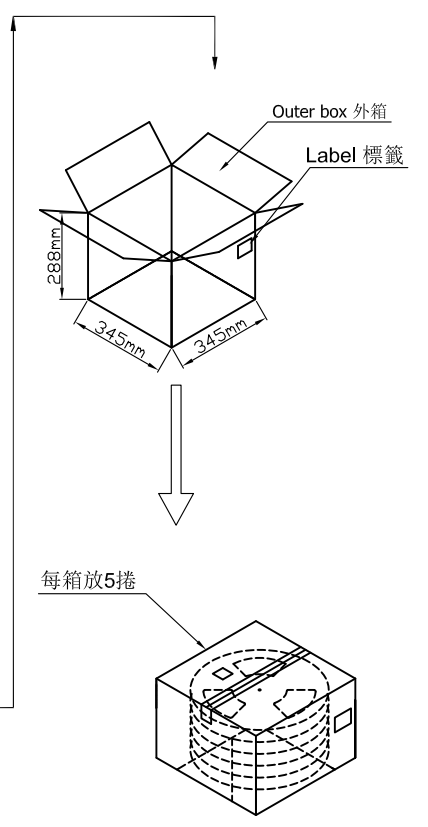
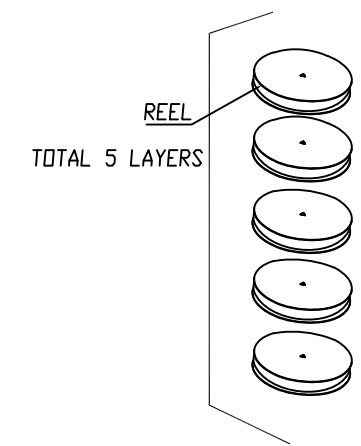
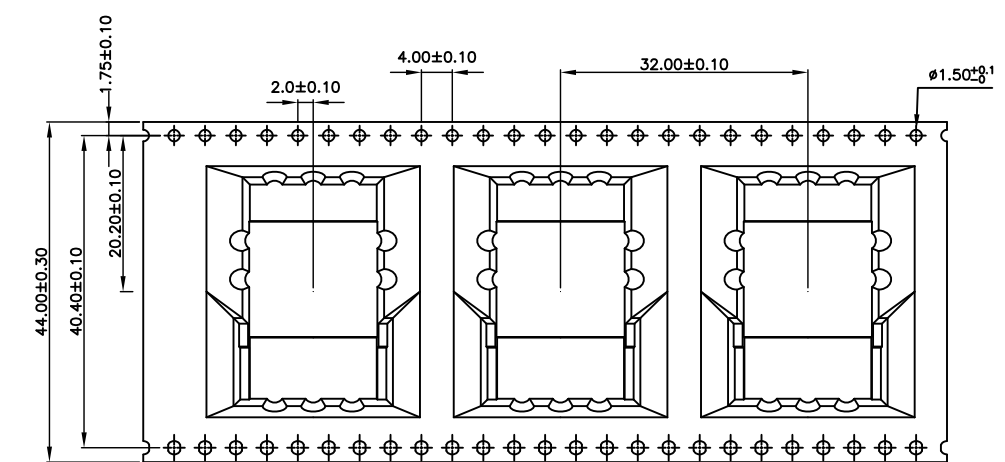
A0	RELEASED	Allen	2020-11-20
REV	DESCRIPTION.	APPD.	Date

FILE NO : ARJ15(Series)		TITLE 圖名		10/100Base		UNIT 單位	mm inch
TOLERANCE(公差): 0.000 mm ± 0.075 mm 0.00 mm ± 0.15 mm 0.0 mm ± 0.25 mm		PART NO. 料號		ARJ15-T5		SCALE 比例	1:1
		DRAWN BY 製圖	Ben	DATE 日期	2020-11-20	REV. 版本	A.0
		CHECKED BY 審核	Allen	DATE 日期	2020-11-20		

L K J I H



1. 任意連續10個鍊條孔的累計誤差不超過±0.2mm。
2. 載帶長度方向250mm距離的非平行度超過1mm。
3. 材質：PET
4. 全尺寸符合《EIA-481-D》規範要求。
5. 13"圓盤每捲長度為：4.032 米。
6. 110PCS/捲，5捲/箱，550PCS/箱
7. 符合RoHS 標準



Champyang International Ltd., Co

A0	RELEASED	Allen	2020-11-20
REV	DESCRIPTION.	APPD.	Date

FILE NO : ARJ15(Series)		TITLE 圖名		Tape & Reel Package		UNIT 單位	mm inch
TOLERANCE(公差): 0.000 mm ± 0.075 mm 0.00 mm ± 0.15 mm 0.0 mm ± 0.25 mm		PART NO. 料號	ARJ15-010808-341-S3L21T5-B			SCALE 比例	1:1
DRAWN BY 製圖	Ben	DATE 日期	2020-11-20	REV. 版本	A.0		
CHECKED BY 審核	Allen	DATE 日期	2020-11-20				