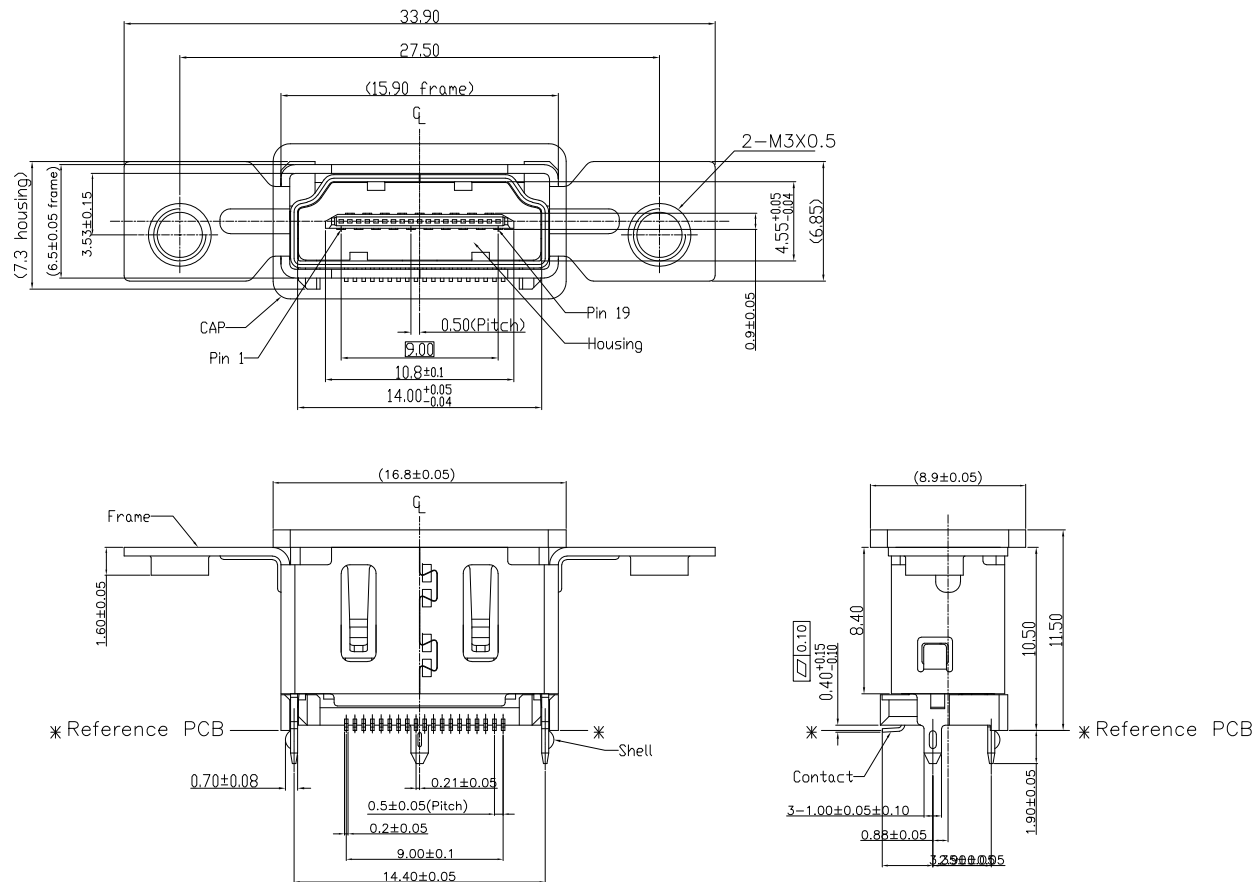
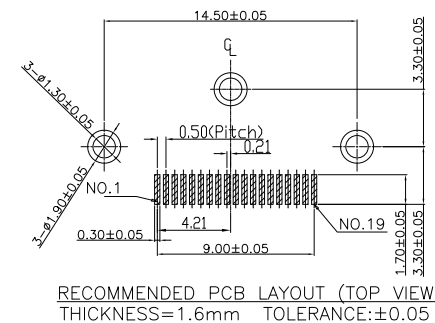


MECHANICAL:



NOTE :

- 1.MATERIALS AND FINISHED
 HOUSING: LCP UL 94V-0
 CAP: LCP UL 94V-0
 CONTACT: BRASS,SELEVITE GOLD FINISHED
 SHELL: BRASS, NICKEL PLATED
 FRAME: SPCC,NICKEL PLATED
- 2.ELECTRICAL CHARACTERISTICS
 CURRENT RATING: 0.5 AMP
 VOLTAGE RATING: 40V AC
 CONTACT RESISTANCE: 20 MILLIOHMS MAX.
 DIELECTRIC WITHSTANDING VOLTAGE : 500V AC MIN.
 INSULATION RESISTANCE: 1000 MEGAOHMS MIN.
- 3.MECHANICAL
 MATING FORCE: 4.5Kgf MAX.
 UNMATING FORCE: 1.0 Kgf MIN
- 4.ENVIRONMENTAL
 TEMPERATURE RATING : -40°C ~ +100°C



Champyang International Ltd., Co

A0	RELEASED	Allen	2022-03-09
REV	DESCRIPTION.	APPD.	Date

FILE NO: AHD03 (Series)		TITLE 圖名		HDMI A TYPE直立式10.5高 銅殼鍍線 帶支架, 端子G/F		UNIT 單位	mm inch
TOLERANCE(公差): 0.000 mm ± 0.075 mm 0.00 mm ± 0.15 mm 0.0 mm ± 0.25 mm		PART NO. 料號		AHD03-34F-CR-B		SCALE 比例	1:1
DRAWN BY 製圖		Ray	DATE 日期	2022-03-09	REV. 版本	A0	
CHECKED BY 審核		Allen	DATE 日期	2022-03-09			