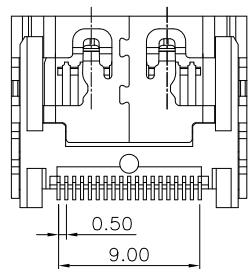
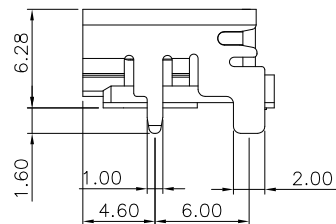
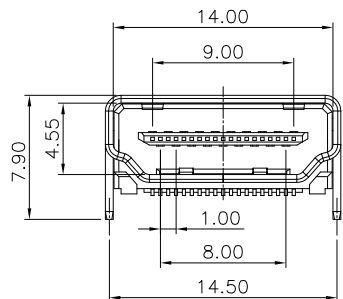
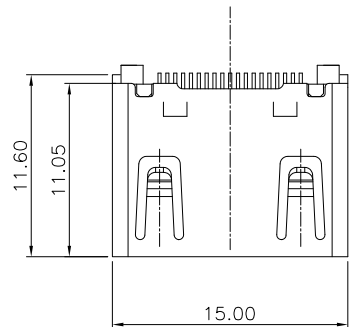


MECHANICAL:



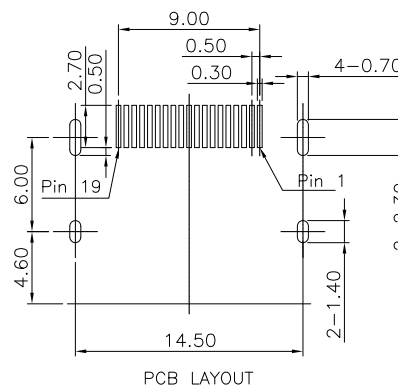
NOTE:

MATERIALS:

1. Housing: LCP Color: Black
2. Contacts: Brass C2680
3. Shell: SPCC

PLATING:

1. Contacts: Fu"Gold Plated on Contact Area
100u"Matte Sn Plated on Solder tails
50u"Nickel Under Plated Over All
2. Shell: 30u "Nickel Plated



Champyang International Ltd., Co

A0	RELEASED	Allen	2019-06-27
REV	DESCRIPTION.	APPD.	Date

FILE NO: AHD01 (Series)		TITLE 圖 名		HDMI A/F SMT 腳長1.60		UNIT 單位	mm inch
TOLERANCE(公差): 0.000 mm ± 0.075 mm 0.00 mm ± 0.15 mm 0.0 mm ± 0.25 mm		PART NO. 料 號		AHD01-14F-DR		SCALE 比例	1:1
DRAWN BY 製 圖		Ben	DATE 日期	2019-06-27	REV. 版本	A0	
CHECKED BY 審 核		Allen	DATE 日期	2019-06-27			