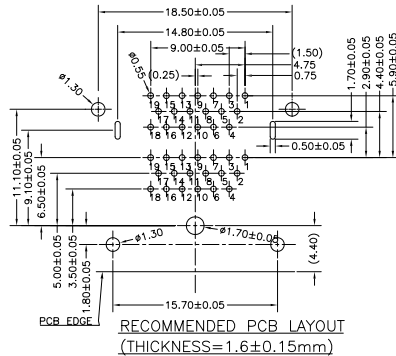
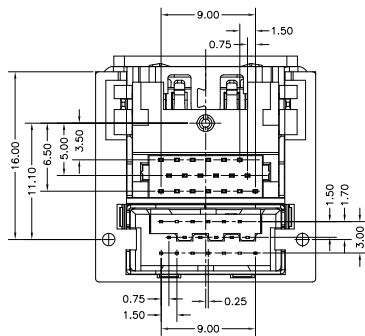
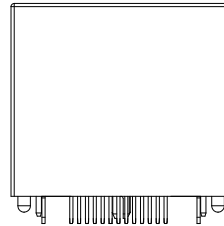
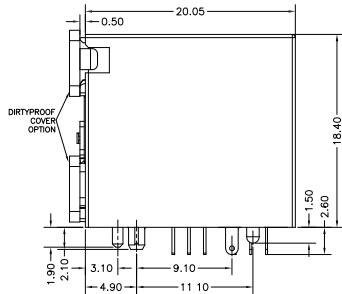
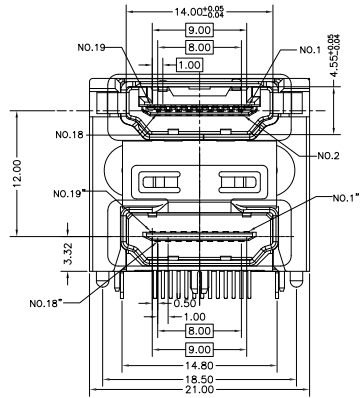
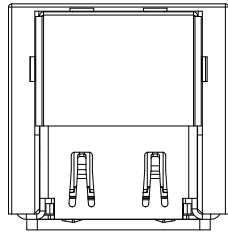


MECHANICAL:



SPECIFICATIONS

SPECIFICATIONS

OPERATING CURRENT: 0.5A MAX.

OPERATION TEMPERATURE: -25°C TO +85°C

DIELECTRIC WITHSTANDING VOLTAGE:

500Volts AC BETWEEN ADJACENT TERMINAL (UNMATE )

300Volts AC BETWEEN ADJACENT TERMINAL (MATE )

INSULATION RESISTANCE:

100Mohm MIN.(UNMATED);10Mohm MIN.(MATED)

AHD06 - x 2 F - C R

- |                         |                  |                |             |                          |
|-------------------------|------------------|----------------|-------------|--------------------------|
| Shell                   | Plastic material | Electroplating | Packing     | Environmental protection |
| 1=Iron Alloy Ni Plating | 2=PBT            | F=FU/Tin       | B=TUBE      | H=Halogen                |
| 2=Iron Alloy Au Plating | 3=PA9T           | 1=1u"Au/Tin    | C=TRAY      | R=ROHS                   |
| 3=Copper Alloy Ni       | 4=LCP            | 2=3u"Au/Tin    | D=TAPE REEL |                          |
| Plating                 |                  | 3=5u"Au/Tin    | E=TAPE      |                          |
| 4=Copper Alloy Au       |                  | 4=10u"Au/Tin   | REEL+MYLAR  |                          |
| Plating                 |                  | 5=15u"Au/Tin   |             |                          |
| 5=SUS Ni Plating        |                  | 6=30u"Au/Tin   |             |                          |



Champyang International Ltd., Co

REV	DESCRIPTION.	APPD.	Date
A0	RELEASED	Allen	2019-06-27

FILE NO:	AHD06 ( Series)	TITLE	DUAL HDMI STACKED CONNECTOR THROUGH HOLE TYPE		UNIT	mm
TOLERANCE(公差):	0.000 mm ± 0.075 mm 0.00 mm ± 0.15 mm 0.0 mm ± 0.25 mm	圖名	AHD06-x2F-CR		單位	inch
		PART NO.			SCALE	1:1
		料號			比例	
		DRAWN BY	Ben	DATE	2019-06-27	REV.
		製圖	Allen	日期	2019-06-27	版本
		CHECKED BY	Allen	日期	2019-06-27	
		審核				