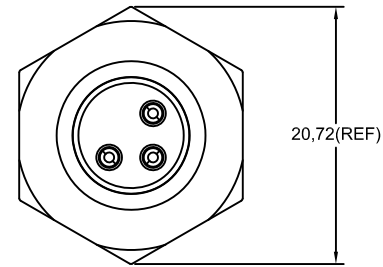
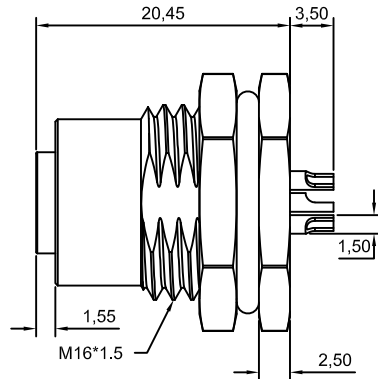
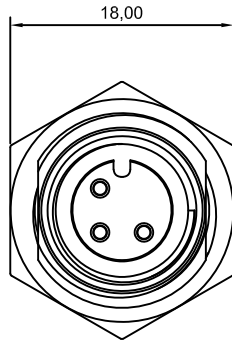
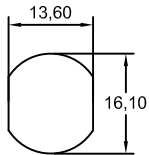


Note:

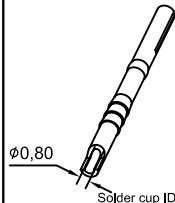
- waterproof Rate : IPX7.
- Male Pin : Copper Alloy , Gold Plated.
- Shield : Zinc die casting alloy , Nickel Plated.
- Screw Nut : Copper Alloy , Nickel Plated.
- O-Ring1:EPDM , Black.
- O-Ring2:EPDM
- For Panel Thickness Max 4.5mm



Pin Assignments Front View



Recommended Panel Cut-Out



Solder cup ID



Champyang International Ltd., Co

REV	DESCRIPTION.	APPD.	Date
A0	RELEASED	Allen	2019-10-31

FILE NO :	AM12	TITLE	M12, 3Pin, Female, Front Lock, For Cable type, Waterproof	UNIT	mm
TOLERANCE(公差):	0.000 mm ± 0.10 mm 0.00 mm ± 0.20 mm 0.0 mm ± 0.30 mm x° ± 1.0° 0.x° ± 0.5°	圖名		單位	inch
		PART NO.	AM12-03PFFS-SF7001-A	SCALE	1:1
		料號		REV.	A0
		DRAWN BY	Ben	DATE	2019-10-31
		製圖		日期	
		CHECKED BY	Allen	DATE	2019-10-31
		審核		日期	