

L K J I H

3

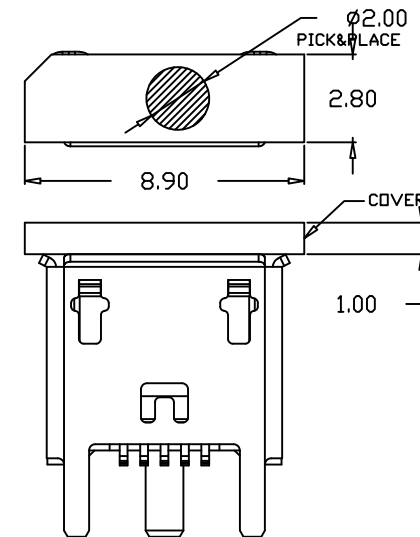
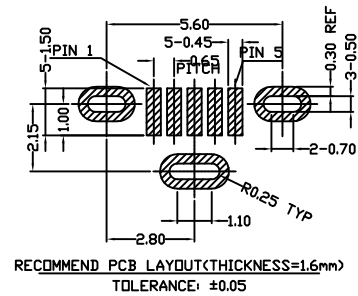
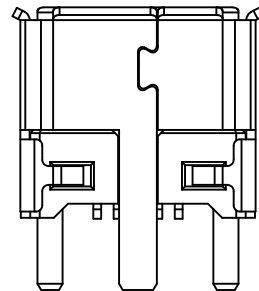
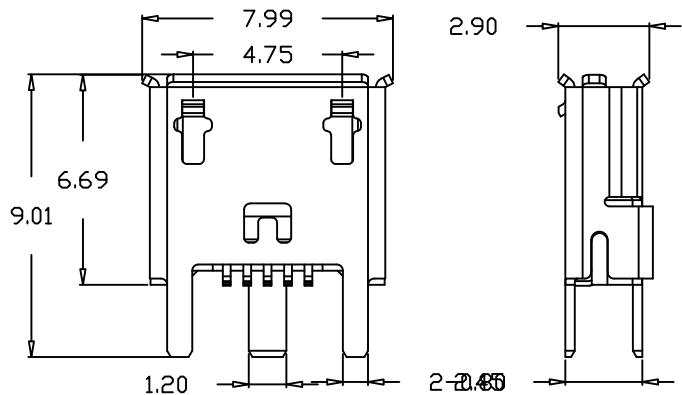
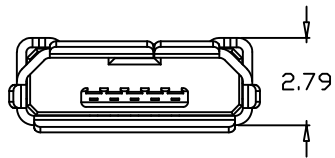
2

1

4

5

6



Notes:

Specifications:

1. Current rating: 1 A Max.
2. Dielectric withstanding:voltage: 100V(AC) for 1 min.
3. Contact resistance: 50m Ω Max.
4. Insulation resistance: 100M Ω Min.
5. Total mating force: 3.57 Kgf Max.
6. Total unmating force: 1.0 Kgf Min.0.81~2.05 Kgf Min.after 10000 insertion/extraction cycles
7. Temperature range: -30°C~+80°C



Champyang International Ltd., Co

A0	RELEASED	Allen	2018-11-25
REV	DESCRIPTION.	APPD.	Date

FILE NO : AMU01( Series)		TITLE 圖名		MICRO USB 5 PIN SMT, TOP ENTRY WITH COVER		UNIT 單位	mm inch
TOLERANCE(公差): 0.000 mm ± 0.075 mm 0.00 mm ± 0.15 mm 0.0 mm ± 0.25 mm		PART NO. 料號		AMU01-0105-F41-S22		SCALE 比例	1:1
DRAWN BY 製圖		Ben	DATE 日期	2018-11-25	REV. 版本	A0	
CHECKED BY 審核		Allen	DATE 日期	2018-11-25			