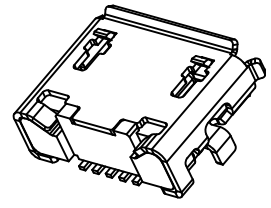
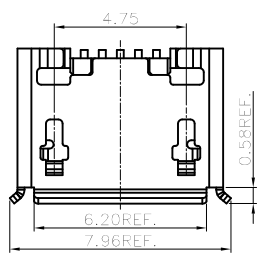


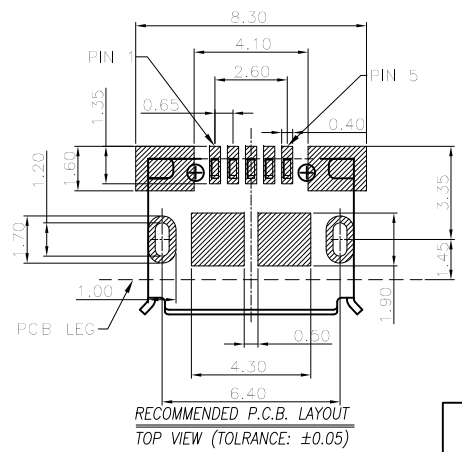
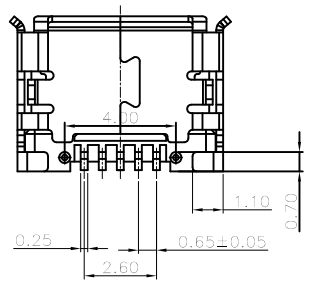
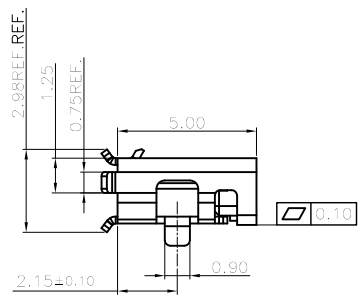
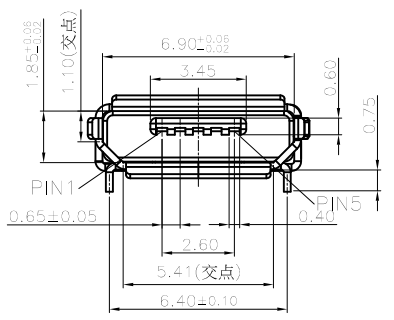
3

4



NOTES:

- MATERIAL:  
 INSULATOR: HI-TEMP PLASTIC UL 94V-0; BLACK.  
 CONTACT: COPPER ALLOY(T=0.15MM).  
 SHELL: SUS201/304(T=0.25MM).
- FINISH:  
 CONTACT: Au PLATED ALL OVER NICKEL  
 SHELL: MATTE Sn PLATED OVER NICKEL
- ELECTRICAL CHARACTERISTICS:  
 CURRENT RATING: 1.0 A  
 VOLTAGE RATING: 30 V  
 DIELECTRIC WITHSTANDING VOLTAGE: AC500V R.M.S.  
 INSULATION RESISTANCE: 100 MΩ MINIMUM.  
 CONTACT RESISTANCE: 30 mΩ MAXIMUM.
- ENVIRONMENTAL:  
 OPERATING TEMPERATURE: -20°C~+85°C.



Champyang International Ltd., Co

2

6

A0	RELEASED	Allen	2018-11-29
REV	DESCRIPTION.	APPD.	Date

FILE NO: AMU02 ( Series)	TITLE 圖名	MICRO USB 5 PIN, POST SMT, SIDE ENTRY		UNIT 單位	mm inch	
TOLERANCE(公差): 0.000 mm ± 0.075 mm 0.00 mm ± 0.15 mm 0.0 mm ± 0.25 mm	PART NO. 料號	AMU02-0105-F41-S21-A		SCALE 比例	1:1	
	DRAWN BY 製圖	Kiddy	DATE 日期	2018-11-29	REV. 版本	A0
	CHECKED BY 審核	Allen	DATE 日期	2018-11-29		