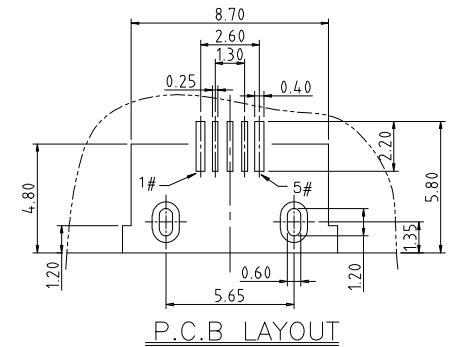
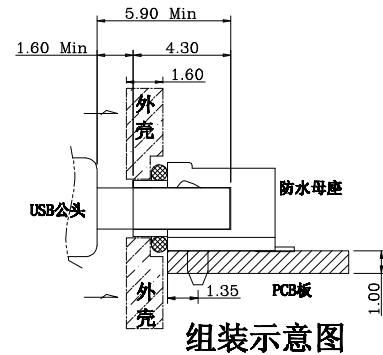
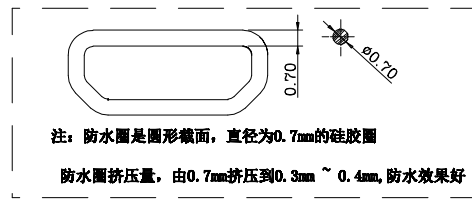
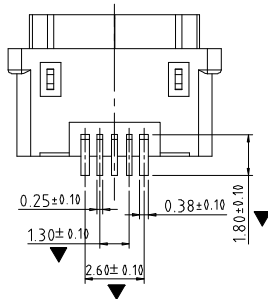
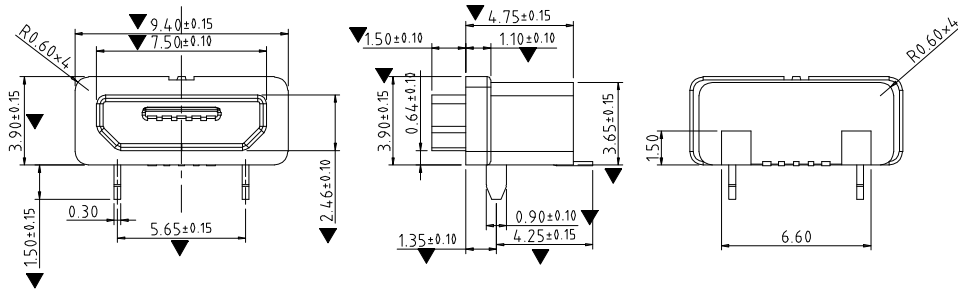


Contact Number	Signal Name	Remarks
1#	VBUS	Power
2#	D-	Date-
3#	D+	Date+
4#	ID	Reserve or Gound
5#	GND	Gound

SPECIFICATIONS:

- ELECTRICAL CHARACTERISTICS:
  - RATING: 3A(PIN1&5),0.5A(PIN2&3&4);
  - CONTACT RESISTANCE: 30 mΩ MAX.(INITIAL);
  - DIELECTRIC WITHSTANDING: 500V AC MIN.;
  - INSULATION RESISTANCE: 1000MΩ MIN.;
- DURABILITY: 5,000 CYCLES MIN.;
- INSERTION FORCE: 3.5Kgf (35N) Max.;
- EXTRACTION FORCE: 0.8Kgf (8N) Min.;
- WATER PROOFNESS: THIS PRODUCT IS BASED ON IPX6
- PLUG INTERFACE DIMENSIONS COMFORM TO USB2.0 SPEC.
- PACKAGING: TAPE & REEL.



ITEM	PART NAME	Q' TY	FINISH	NOTE
3	Shell	1	SUS304R-1/2H Ni PlatingT=0.30mm	
2	Contact	5	Phosphor bronze C2680 Au/Ni Plating T=0.20mm	
1	Housing	1	PA9T (G.F30%)	



Champyang International Ltd., Co

REV	DESCRIPTION.	APPD.	Date
A0	RELEASED	Allen	2019-07-29

FILE NO :	TITLE	Micro USB 5P SMT(B)Type		UNIT	mm
AMU03 ( Series)	圖名	(平口防水型 長頭)		單位	inch
TOLERANCE(公差):	PART NO.	AMU03-0105-x31-S11-WP-B		SCALE	1:1
0.000 mm ± 0.075 mm	料號			REV.	A0
0.00 mm ± 0.15 mm	DRAWN BY	Ben	DATE	2019-07-29	
0.0 mm ± 0.25 mm	製圖		日期		
	CHECKED BY	Allen	DATE	2019-07-29	
	審核		日期		