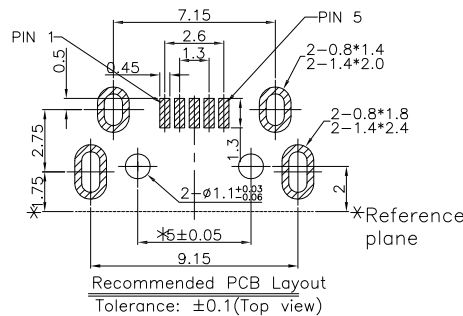
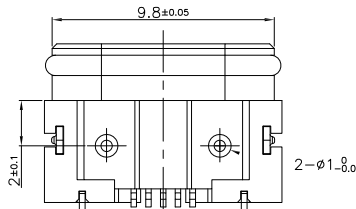
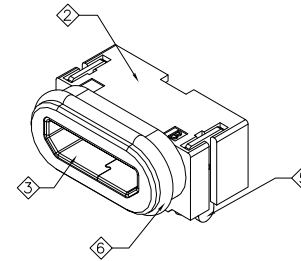
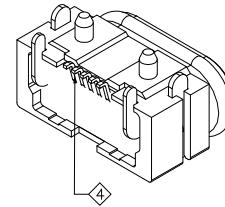
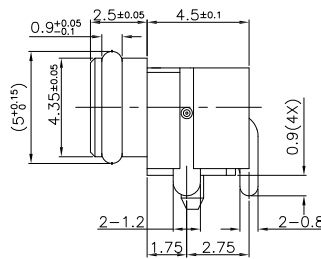
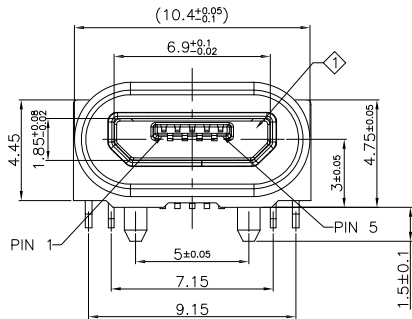
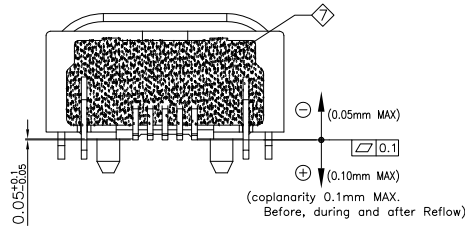
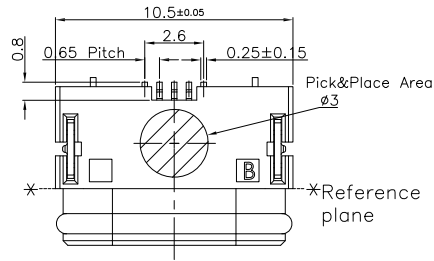


SPECIFICATIONS:

1. ELECTRICAL CHARACTERISTICS:
  - 1-1. RATING: 1.8A (PIN1/5), 0.5A (PIN2/3/4)
  - 1-2. CONTACT RESISTANCE: 30mΩ MAX.(INITIAL)
  - 1-3. DIELECTRIC WITHSTANDING VOLTAGE: 300V AC FOR ONE MINUTE.
  - 1-4. INSULATION RESISTANCE: 100MΩ MIN. MEASURED BY 500 VDC
2. MECHANICAL CHARACTERISTICS:
  - 2-1. INSERTION FORCE : 3.6 KGF (MAX)
  - 2-2. WITHDRAWAL FORCE : 0.8 KGF(Reference)
3. DURABILITY: 10,000 CYCLES .
4. WATER PROOFNESS:THIS PRODUCT IS BASED ON IPX7(1m,30min)
5. PLUG INTERFACE DIMENSIONS COMFORM TO USB2.0 SPEC.
6. OVAL RING
  - 6-1. The amount of low molecular siloxanes(D3~D10)is less than 200ppm
  - 6-2. Hardness of silicone rubber:70°
  - 6-3. Horizontal flash 0.1max;Longitudinal flash 0.10max
7. BODY WITH O-RING'S SEAL AREA BURRS IS 0.05mm Max.
8. FOR REFLOW SOLDERING LEAD-FREE PROCESS.
9. PACKAGING: TAPE & REEL.



ITEM	PART NAME	TERMINAL	QTY	MATERIAL	REMARK
◇	BOND	----	1	----	----
◇	Oval ring	----	1	----	----
◇	TERMINAL	----	2	SPCC T=0.3	1st: Cu, 2nd: Sn PLATED
◇	CONTACT	No.1 - No.5	5	Copper Alloy T=0.20	Under plating: Ni plating Contact area: Gold flash plating Soldering area: Sn plating
◇	SHELL	----	1	Stainless Steel T=0.25	1st: Cu, 2nd: Ni PLATED
◇	COVER	----	1	PA9T(BLACK)	UL-94V-0
◇	HOUSING	----	1	LCP(BLACK)	UL-94V-0



Champyang International Ltd., Co

FILE NO : AMU03 ( Series)

TITLE  
圖名

MICRO USB2.0 WATERPROOF

UNIT  
單位  
mm  
inch

TOLERANCE(公差):

PART NO.  
料號

AMU03-0105-x41-S13-WP-C

SCALE  
比例  
1:1

0.000 mm ± 0.075 mm  
0.00 mm ± 0.15 mm  
0.0 mm ± 0.25 mm

DRAWN BY  
製圖

Ben

DATE  
日期

2019-07-29

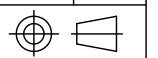
REV.  
版本  
A0

CHECKED BY  
審核

Allen

DATE  
日期

2019-07-29



REV	DESCRIPTION.	APPD.	Date
A0	RELEASED	Allen	2019-07-29