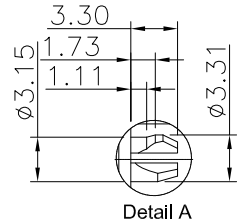
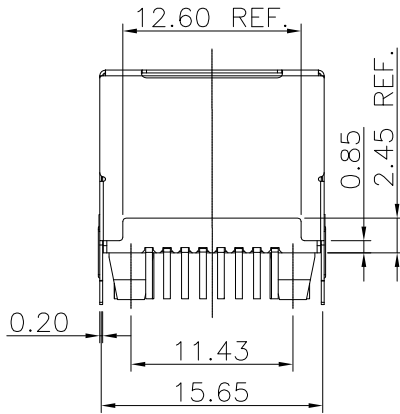
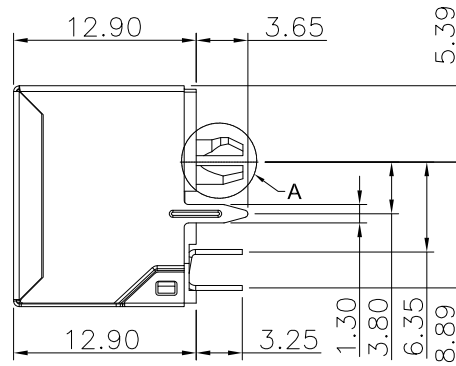
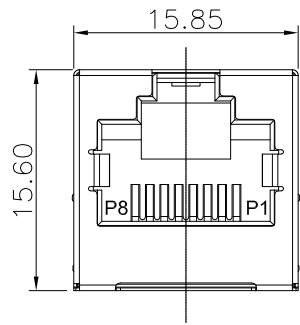


MECHANICAL :



SPECIFICATION NOTES:

Electrical:

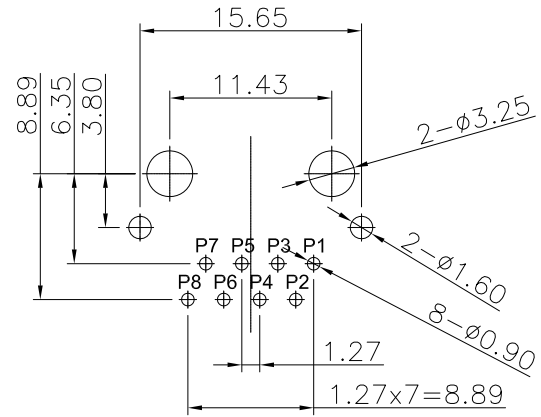
1. Current rating: 1.5AMP
2. Voltage rating: 125VAC max.
3. Contact resistance: 30 milliohms max.
4. Insulation resistance: 500 megohms min.@500 VDC.
5. Dielectric strength: 1000 VAC RMS 50Hz,1min.

Materials:

1. SHIELD: T=0.20 MM ,BRASS WITH NICKEL PLATED.
2. Housing / INSET: PBT UL94V-0 (color :pantone Black)
3. Contact: phosphor bronze T=0.35mm
4. Plating: Gold plating Over Nickel, Plated Nickel 30-50u", Gold Plated On Contact Area 1u"
5. Operating Life : 750 Cycles Min.

Environmental:

Operating temperature: -40°C~+85°C
Storage temperature: -40°C~+85°C



Recommend PCB Layout (Top View)



Champyang International Ltd., Co

A0	RELEASED	Allen	2023-03-24
REV	DESCRIPTION.	APPD.	Date

FILE NO : ARJ01(Series)		TITLE 圖名		RJ45 8P8C TOP ENTRY H=12.9, WITH SHIELDED		UNIT 單位	mm inch
TOLERANCE(公差): 0.000 mm ± 0.075 mm 0.00 mm ± 0.15 mm 0.0 mm ± 0.25 mm		PART NO. 料號		ARJ01-010808-121-S0-G		SCALE 比例	1:1
		DRAWN BY 製圖		Ray	DATE 日期	2023-03-24	REV. 版本
		CHECKED BY 審核		Allen	DATE 日期	2023-03-24	