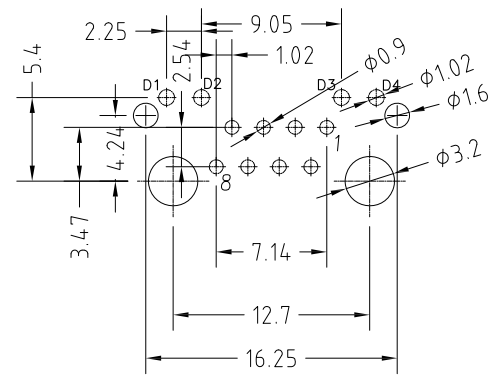
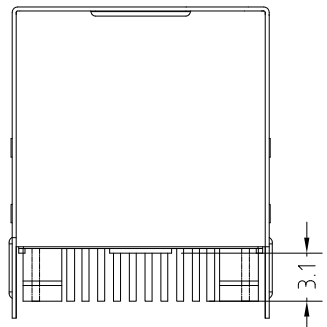
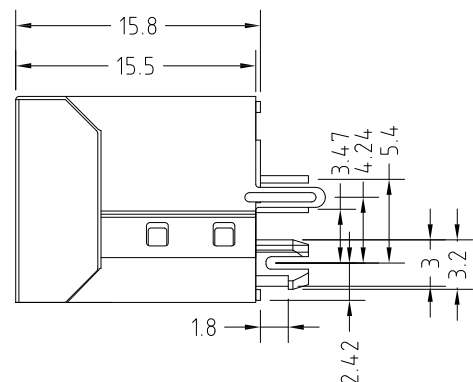
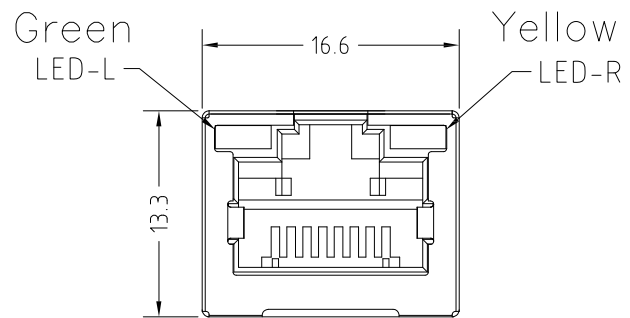


MECHANICAL:



**SUGGESTED PCB LAYOUT
(TOP VIEW)**

SPECIFICATION NOTES:

ELECTRICAL:

1. VOLTAGE RATING: 125 VAC RMS
2. CURRENT RATING: 1.5 AMP
3. CONTACT RESISTANCE: 30mΩ MAX.
4. INSULATION RESISTANCE: 500MΩ MIN AT 500V DC.
5. DIELECTRIC STRENGTH: 1000 VAC 50Hz 1MINUTE

MECHANICAL:

1. HOUSING/INSERT MATERIAL:
THERMOPLASTIC, PBT UL94V-0 ,COLOR BLACK
2. CONTACT MATERIAL: PHOSPHOR BRONZE φ0.46mm
3. PLATING: GOLD PLATING OVER NICKEL, PLATED NICKEL 30-50U". SN 100-120U. FU" GOLD PLATED
4. OPERATING LIFE: 750 CYCLES MIN.

ENVIRONMENTAL:

1. STORAGE: -40° C TO +85° C
2. OPERATION: 0° C TO 75° C

LED ELECTRICAL CHARACTERISTIC

Standard LED	Wavelength	Forward V (Min/Max)	Forward A	Type
Green	568nm	1.8V/2.8V	20mA	squareness
Yellow	585nm	1.8V/2.8V	20mA	squareness
Orange	610nm	1.8V/2.8V	20mA	squareness



Champyang International Ltd., Co

A1	RELEASED	Allen	2020-06-10
REV	DESCRIPTION.	APPD.	Date

FILE NO: ARJ01(Series)		TITLE 圖名		RJ45 8P8C TOP ENTRY, WITH LED WITH SHIELDED		UNIT 單位	mm inch
TOLERANCE(公差): 0.000 mm ± 0.15 mm 0.00 mm ± 0.25 mm 0.0 mm ± 0.30 mm		PART NO. 料號		ARJ01-010808-F21-SOL2-A		SCALE 比例	1:1
DRAWN BY 製圖		Ben		DATE 日期		2020-06-10	
CHECKED BY 審核		Allen		DATE 日期		2020-06-10	