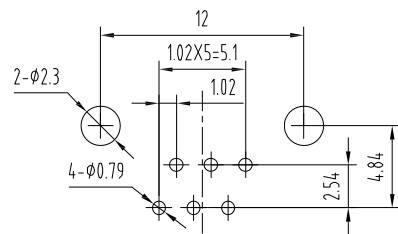
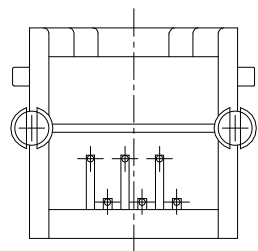
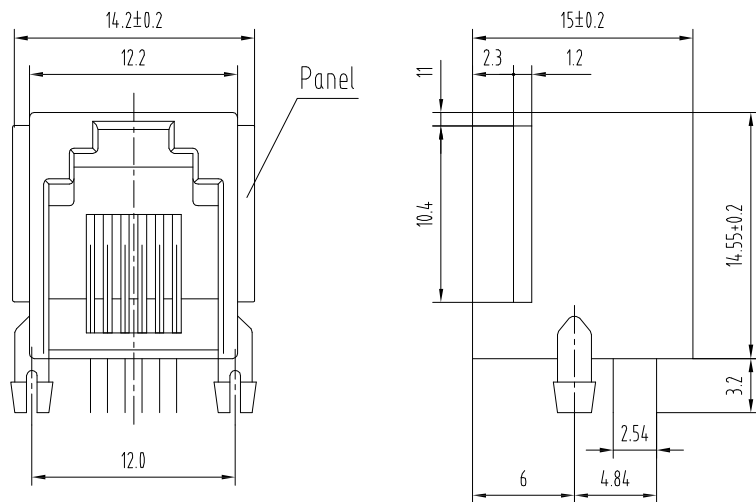


MECHANICAL:



PC Board Layout
Component Side Shown

ELECTRICAL:

1. VOLTAGE RATING: 125 VAC RMS
2. CURRENT RATING: 1.5 AMP
3. CONTACT RESISTANCE: 30mΩ MAX.
4. INSULATION RESISTANCE: 500MΩMIN. AT 500V DC.
5. DIELECTRIC STRENGTH: 1000 VAC 50Hz 1MINUTE

MECHANICAL:

1. HOUSING/INSERT MATERIAL:
THERMOPLASTIC, PBT UL94V-0, COLOR GRAY
2. CONTACT MATERIAL: PHOSPHOR BRONZE $\phi 0.46$ mm
3. PLATING: GOLD PLATING OVER NICKEL, PLATED NICKEL 30-50U". SN 100-120U. GOLD PLATED ON CONTACT AREA FU"
4. OPERATING LIFE: 750 CYCLES MIN.

ENVIRONMENTAL:

1. STORAGE: -40° C TO +85° C
2. OPERATION: 0° C TO 75° C



Champyang International Ltd., Co

A0	RELEASED	Allen	2018-11-02
REV	DESCRIPTION.	APPD.	Date

FILE NO : ARJ03(Series)		TITLE 圖名		RJ11 6P6C SIDE ENTRY		UNIT 單位	mm inch
TOLERANCE(公差): 0.000 mm ± 0.075 mm 0.00 mm ± 0.15 mm 0.0 mm ± 0.25 mm		PART NO. 料號		ARJ03-010606-X20-A		SCALE 比例	1:1
		DRAWN BY 製圖	Kiddy	DATE 日期	2018-11-02	REV. 版本	A0
		CHECKED BY 審核	Allen	DATE 日期	2018-11-02		