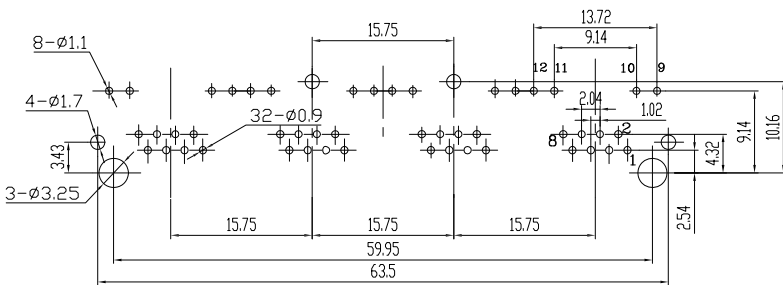
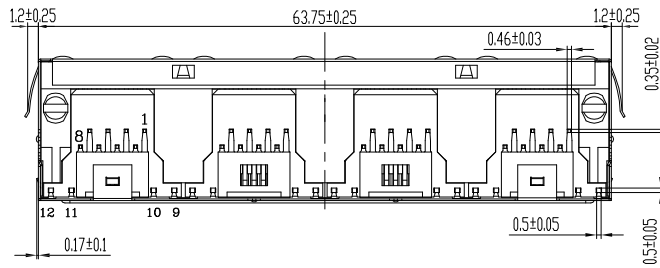
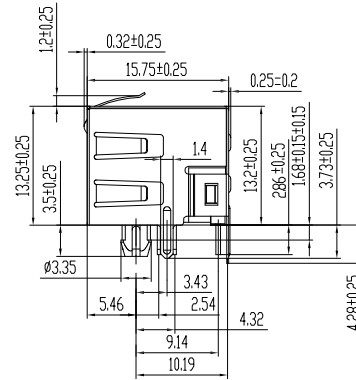
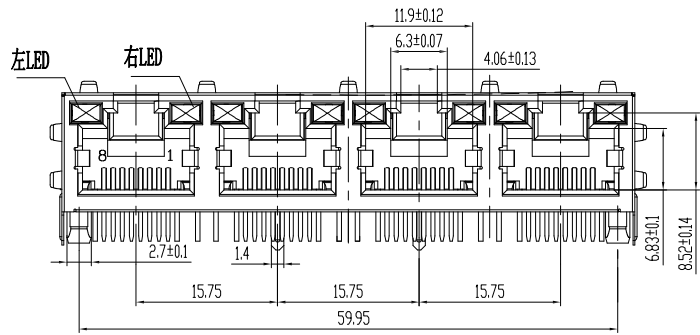


MECHANICAL:



RECOMMENDED PC BOARD LAYOUT PCB THICKNESS=1.6mm
AS VIEWED FROM COMPONENT SIDE TOLERANCE ±0.05mm

SPECIFICATION NOTES:

ELECTRICAL:

- VOLTAGE RATING: 125 VAC RMS
- CURRENT RATING: 1.5 AMP
- CONTACT RESISTANCE: 30mΩ MAX.
- INSULATION RESISTANCE: 500ΩMIN. AT 500V DC.
- DIELECTRIC STRENGTH: 1000 VAC 50Hz 1MINUTE

MECHANICAL:

- SHIELD: BRASS T=0.2MM, Finish: 30u" Nickel
- HOUSING /INSERT MATERIAL: THERMOPLASTIC, PA46 UL94V-0,COLOR BLACK
- CONTACT MATERIAL: PHOSPHOR BRONZE T=0.35MM
- PLATING: GOLD PLATING OVER NICKEL, PLATED NICKEL 30-50U". SN 100-120U. GOLD PLATED ON CONTACT AREA 15u"
- OPERATING LIFE: 750 CYCLES MIN.

ENVIRONMENTAL:

- STORAGE: -40° C TO +85° C
- OPERATION: 0° C TO 75° C

LED ELECTRICAL CHARACTERISTIC

| Standard LED | GREEN 12-11 | | YELLOW 10-9 | | Type |
|--------------|----------------|---------------------|----------------|--|------------|
| | Wavelength | Forward V (Min/Max) | Forward A | | |
| Green | 568nm | 1.8V/2.8V | 20mA | | squareness |
| Yellow | 585nm | 1.8V/2.8V | 20mA | | squareness |



Champyang International Ltd., Co

FILE NO : ARJ04 (Series)

TITLE
圖名

RJ45,Shielded,Receptacle,
Horizontal,1X4 Port,With LED

UNIT
單位
mm
inch

TOLERANCE(公差):
0.000 mm ± 0.075 mm
0.00 mm ± 0.15 mm
0.0 mm ± 0.25 mm

PART NO.
料號

ARJ04-040808-411-S3L2

SCALE
比例
1:1

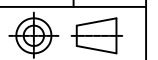
DRAWN BY
製圖

Ben
DATE
日期
2019-06-12

REV.
版本
A.0

CHECKED BY
審核

Allen
DATE
日期
2019-06-12



A0 RELEASED Allen 2019-06-12

REV DESCRIPTION. APPD. Date