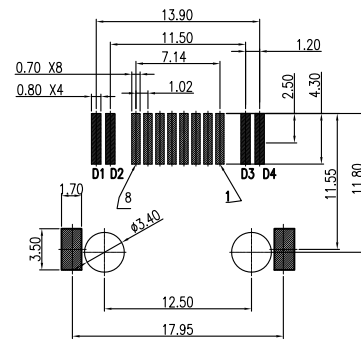
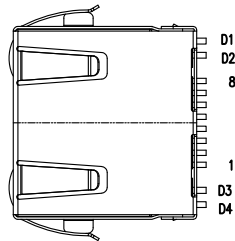
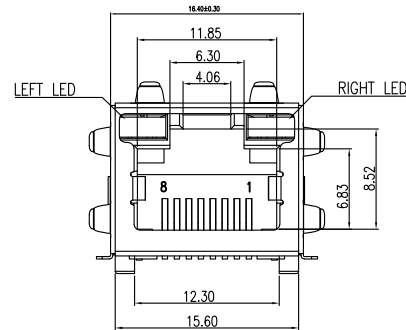
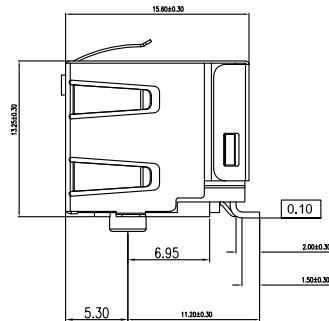
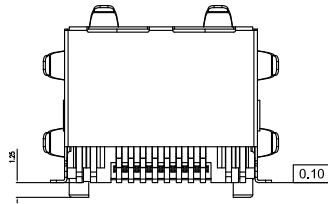
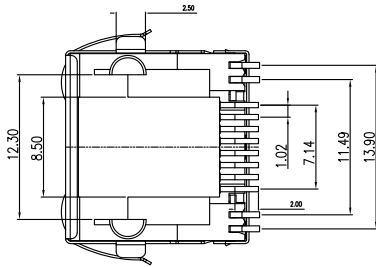


# MECHANICAL:



RECOMMENDED PCB LAYOUT  
PTOLERANCE=±0.05

## SPECIFICATION NOTES:

### ELECTRICAL:

- 1.VOLTAGE RATING: 125 VAC RMS
- 2.CURRENT RATING: 1.5 AMP
- 3.CONTACT RESISTANCE: 20mΩ MAX.
- 4.INSULATION RESISTANCE: 1000MΩ MIN. AT500V DC.
- 5.DIELECTRIC STRENGTH: 1000 V AC OR 1500V DC RMS AT 0.5mA 50 Hz / 60 Hz FOR 1MINUTE

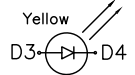
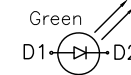
### MECHANICAL:

- 1.HOUSING:LCP BLACK, UL 94V-0
- 2.CONTACT:PHOSPHOR BRONZE T=0.30MM
- 3.PLATING: F'u GOLD PLATING AT CONTACT AREA, MATTE TIN AT TAIL 100U MIN., NICKEL 30U MIN. OVER ALL.
- 4.SHELL:BRASS T=0.20
- 5.OPERATING LIFE:750 CYCLES MIN.
- 6.MATING/UNMATING FORCE: 30N/3.06KGf MAX.
- 7.RETENTION STRENGTH:50N OR 30N MIN.FOR 60S±5S

### ENVIRONMENTAL:

- 1.STORAGE:-40°C TO +85°C RELATIVE HUMIDITY<80%
- 2.GUARANTEEE PERIOD:12 MONTHS
- 3.OPERATION: -40°C TO +85°C
- 4.MANUAL SOLDERING PARAMETERS:24H IR TEMPERATURE: 255±5°C 5~10 SECONDS.

## LED ELECTRICAL CHARACTERISTIC



LEFT LED

RIGHT LED

Standard LED	Wavelength	Forward V (Min/Max)	Forward A	Type
Green	568nm	1.8v/2.8v	20mA	squareness
Yellow	585nm	1.8v/2.8v	20mA	squareness



Champyang International Ltd., Co

AO	RELEASED	Allen	2021-01-04
REV	DESCRIPTION.	APPD.	Date
A	B	C	D

FILE NO : ARJ06 ( Series)	TITLE 圖名	RJ45,Shielded,Receptacle, Horizontal,Single Port,Tht		UNIT 單位	mm inch
TOLERANCE(公差): 0.000 mm ± 0.075 mm 0.00 mm ± 0.15 mm 0.0 mm ± 0.25 mm	PART NO. 料號	ARJ06-010808-F41-S3L2		SCALE 比例	1:1
	DRAWN BY 製圖	Ben	DATE 日期	2021-01-04	REV. 版本
	CHECKED BY 審核	Allen	DATE 日期	2021-01-04	⊕
				Page: 1 of 1	