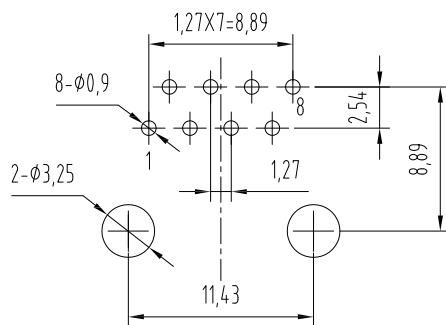
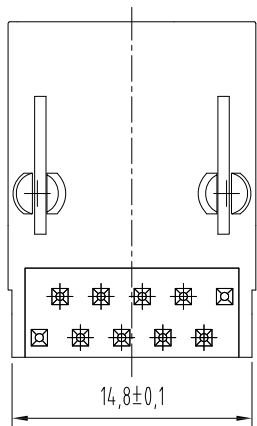
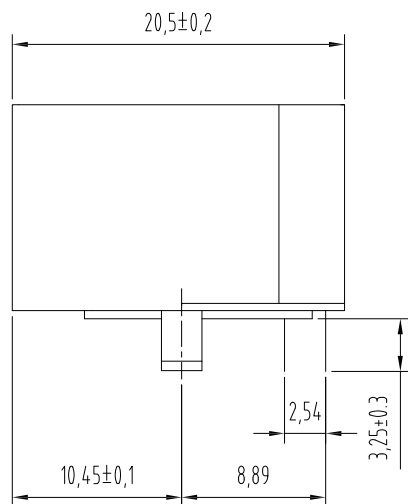
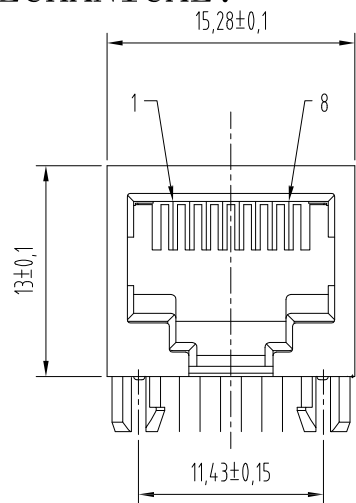


MECHANICAL:



PC Board Layout
Component Side Shown

SPECIFICATION NOTES:

ELECTRICAL:

- VOLTAGE RATING: 125 VAC RMS
- CURRENT RATING: 1.5 AMP
- CONTACT RESISTANCE: 3 0mΩ MAX.
- INSULATION RESISTANCE: 500MΩMIN. AT 500V DC.
- DIELECTRIC STRENGTH: 1000 VAC 50Hz 1MINUTE

MECHANICAL:

- HOUSING/INSERT MATERIAL:
THERMOPLASTIC, PBT UL94V-0, COLOR BLACK
- CONTACT MATERIAL: PHOSPHOR BRONZE ∅0.46mm
- PLATING: GOLD PLATING OVER NICKEL, PLATED NICKEL 30-50". SN 100-120U. GOLD PLATED ON CONTACT AREA FU"
- OPERATING LIFE: 750 CYCLES MIN.

ENVIRONMENTAL:

- STORAGE: -40° C TO +85° C
- OPERATION: 0° C TO 75° C



Champyang International Ltd., Co

REV	DESCRIPTION.	APPD.	Date
A0	RELEASED	Allen	2018-11-02

FILE NO : ARJ09(Series)		TITLE 圖名		RJ45 8P8C SIDE ENTRY TAB DOWN, ROUND PIN		UNIT 單位	mm inch
TOLERANCE(公差): 0.000 mm ± 0.075 mm 0.00 mm ± 0.15 mm 0.0 mm ± 0.25 mm		PART NO. 料號		ARJ09-010808-X21-A		SCALE 比例	1:1
		DRAWN BY 製圖		Kiddy	DATE 日期	2018-11-02	REV. 版本
		CHECKED BY 審核		Allen	DATE 日期	2018-11-02	