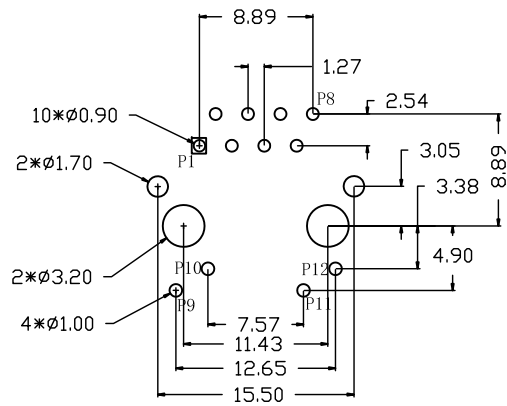
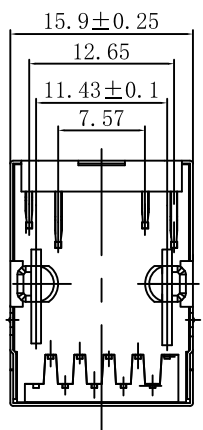
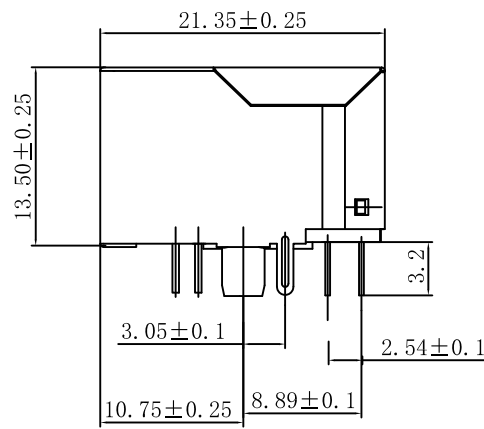
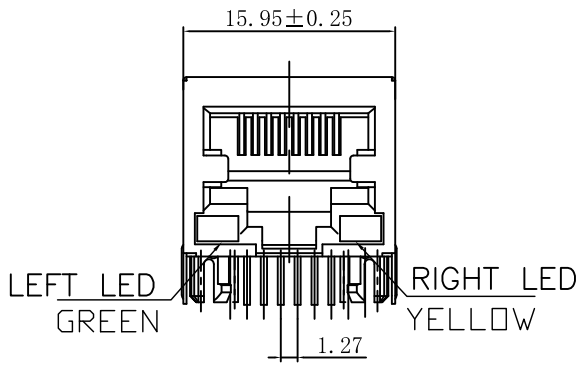


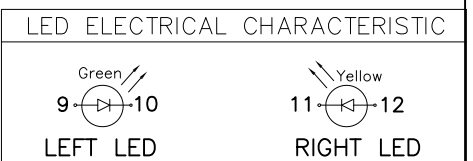
MECHANICAL :



P. C. B RECOMMENDED HOLE LAYOUT SEEN FROM COMPONENT SIDE.
ALL CENTERLINE DIMENSIONS ARE BASIC

Metal Shell :Copper Alloy, Finish: 30u" Nickel
Housing :Thermoplastic,PBT,UL 94V-0,Black
Insert :Thermoplastic,PBT,UL 94V-0,Black
Contact Terminal/phosphor Bronze
6u" Gold on Contact Area, 100u" Tin on Solder,
Both over 50u" Nickel Under-Plated
Coil Base :Phenolic,PBT,UL 94V-0,Black
Terminal/Copper Alloy T=0.40X0.40mm Thickness

Meets or exceeds IEEE 802.3 standard for 10/100 Base-TX
350uH minimum OCL with 8mA Bias current
Available with or without LEDs
Minimum 1500Vrms isolation per IEEE802.3 requirement
Operating temperature 0°C to +70°C
Storage temperature -40°C to +85°C



Standard LED	Wavelength	Forward V (Min/Max)	Forward A	Type
Green	568nm	1.8v/2.8v	20mA	squareness
Yellow	585nm	1.8v/2.8v	20mA	squareness



Champyang International Ltd., Co

REV	DESCRIPTION.	APPD.	Date
A0	RELEASED	Allen	2019-09-09

FILE NO : ARJ10(Series)	TITLE 圖名	RJ45 Connector With Transformer With LED 10/100Base Tab-down 1x1 Port		UNIT 單位	mm inch
TOLERANCE(公差): 0.000 mm ± 0.075 mm 0.00 mm ± 0.15 mm 0.0 mm ± 0.25 mm	PART NO. 料號	ARJ10-010808-321-SOL21T8-B		SCALE 比例	1:1
	DRAWN BY 製圖	Ben	DATE 日期	2019-09-09	REV. 版本
	CHECKED BY 審核	Allen	DATE 日期	2019-09-09	

ELECTRICAL SPECIFICATIONS@25°C UNLESS OTHERWISE NOTED:

1.Turn Ratio(+/-2%):1CT:1CT

2.Inductance OCL:

350uH Min @100KHz 0.1V DC BIAS 8mA

3.Insertion Loss:

-1.0dB Max @1.0-100MHz

4.Return Loss:

-20dB Min @1-10MHz

-16dB Min @10-30MHz

-12dB Min @30-60MHz

-10dB Min @60-100MHz

5.Cross talk:

-40dB Min @1-30MHz

-35dB Min @30-60MHz

-30dB Min @60-100MHz

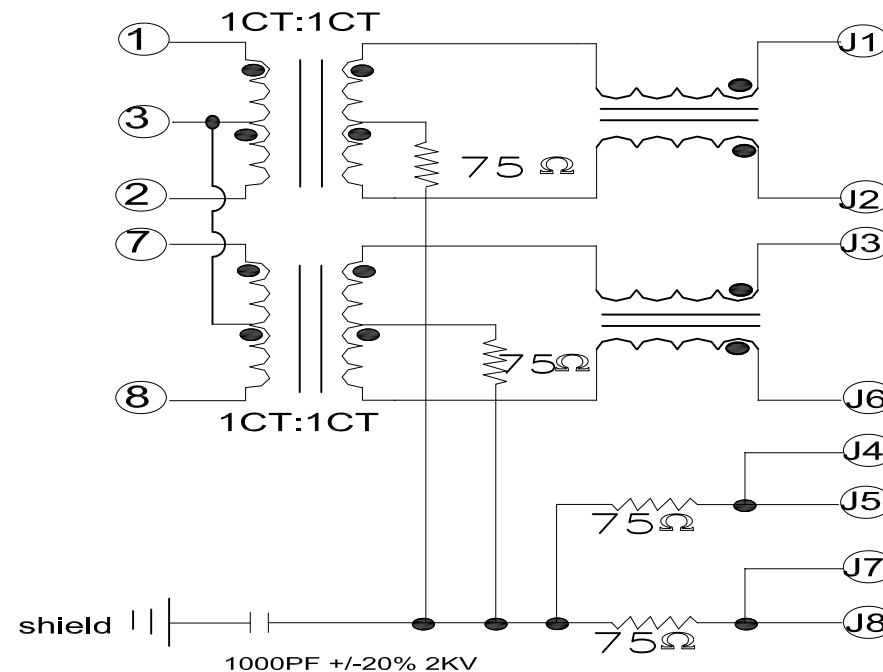
6.Common Mode Rejection:

-35dB Min @1-100MHz

-20dB Min @50-150MHz

7.HIPOT TEST:1500Vrms 1mA.Max

Schematics



Champyang International Ltd., Co

A0	RELEASED	Allen	2019-09-09
REV	DESCRIPTION.	APPD.	Date

FILE NO : ARJ10 (Series)		TITLE 圖名		RJ45 Connector With Transformer With LED 10/100Base Tab-down 1x1 Port		UNIT 單位	mm inch
TOLERANCE(公差): 0.000 mm ± 0.075 mm 0.00 mm ± 0.15 mm 0.0 mm ± 0.25 mm		PART NO. 料號		ARJ10-010808-321-SOL21T8-B		SCALE 比例	1:1
		DRAWN BY 製圖		Ben	DATE 日期	2019-09-09	REV. 版本
		CHECKED BY 審核		Allen	DATE 日期	2019-09-09	