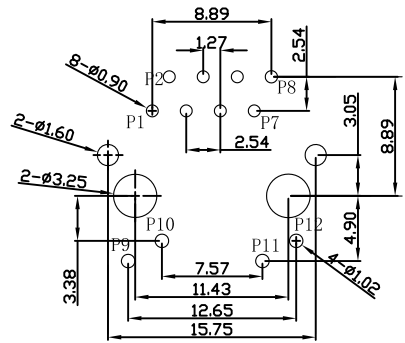
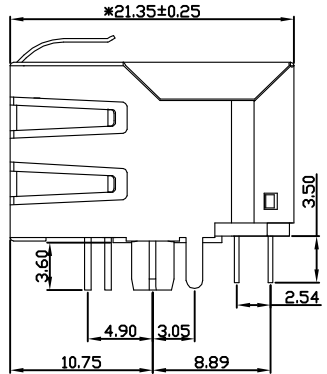
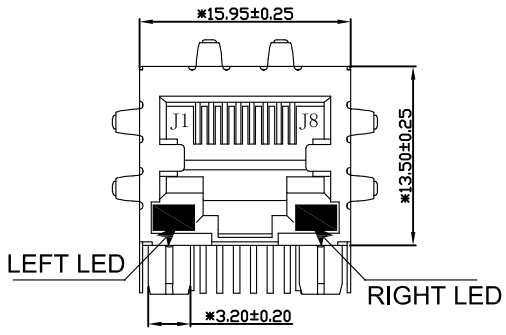


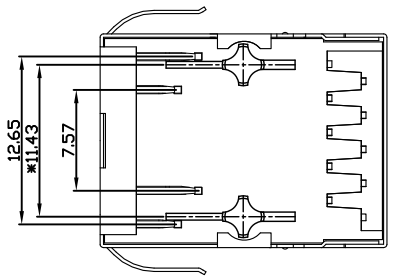
MECHANICAL :

Metal Shell : Copper Alloy, Finish: 30u" Nickel  
 Housing : Thermoplastic, PBT, UL 94V-0, Black  
 Insert : Thermoplastic, PBT, UL 94V-0, Black  
 Contact Terminal/phosphor Bronze  
 6u" Gold on Contact Area, 100u" Tin on Solder,  
 Both over 50u" Nickel Under-Plated  
 Coil Base : Phenolic, PBT, UL 94V-0, Black  
 Terminal/Copper Alloy T=0.40X0.40mm Thickness

Meets or exceeds IEEE 802.3 standard for 10/100 Base-TX  
 350uH minimum OCL with 8mA Bias current  
 Available with or without LEDs  
 Minimum 1500Vrms isolation per IEEE802.3 requirement  
 Operating temperature 0°C to +70°C  
 Storage temperature -40°C to +85°C



P.C.B RECOMMENDED HOLE LAYOUT SEEN FROM COMPONENT SIDE.  
 ALL CENTERLINE DIMENSIONS ARE BASIC



LED ELECTRICAL CHARACTERISTIC				
	Green		Yellow	
	9-10		11-12	
	LEFT LED		RIGHT LED	

Standard LED	Wavelength	Forward V (Min/Max)	Forward A	Type
Green	568nm	1.8V/2.8V	20mA	squareness
Yellow	585nm	1.8V/2.8V	20mA	squareness



Champyang International Ltd., Co

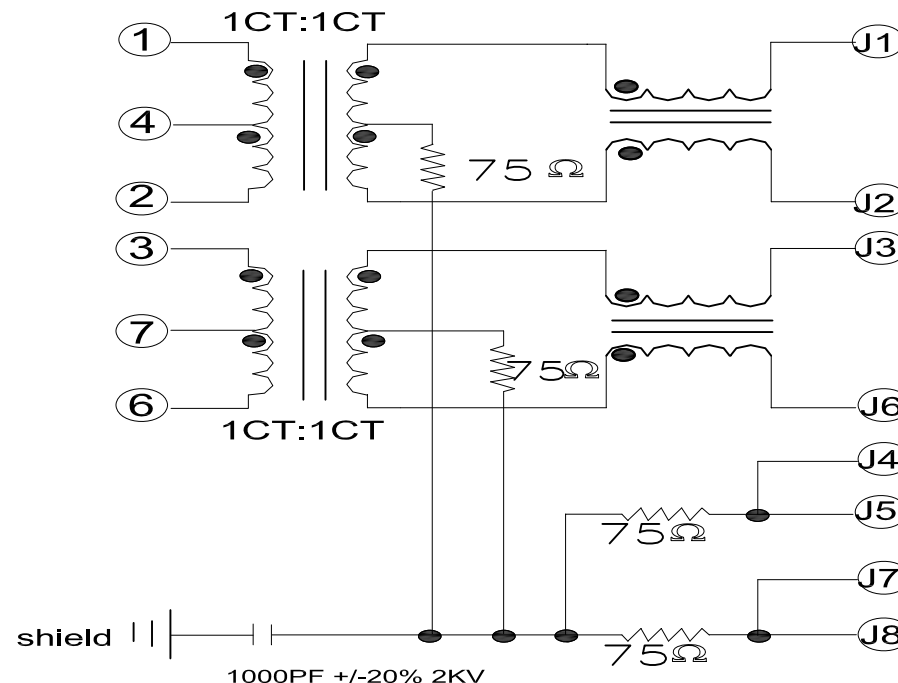
A0	RELEASED	Allen	2020-06-05
REV	DESCRIPTION.	APPD.	Date

FILE NO : ARJ10( Series)		TITLE 圖名		RJ45 Connector With Transformer With LED 10/100Base Tab-down 1x1 Port		UNIT 單位	mm inch
TOLERANCE(公差): 0.000 mm ± 0.075 mm 0.00 mm ± 0.15 mm 0.0 mm ± 0.25 mm		PART NO. 料號		ARJ10-010808-321-S3L22T7-A		SCALE 比例	1:1
DRAWN BY 製圖		Ben		DATE 日期		2020-06-05	
CHECKED BY 審核		Allen		DATE 日期		2020-06-05	

ELECTRICAL SPECIFICATIONS@25°C UNLESS OTHERWISE NOTED:

1. Turn Ratio(+/-2%):1CT:1CT
2. Inductance OCL:  
350uH Min @100KHz 0.1V DC BIAS 8mA
3. Insertion Loss:  
-1.0dB Max @1.0-100MHz
4. Return Loss:  
-20dB Min @1-10MHz  
-16dB Min @10-30MHz  
-12dB Min @30-60MHz  
-10dB Min @60-100MHz
5. Cross talk:  
-40dB Min @1-30MHz  
-35dB Min @30-60MHz  
-30dB Min @60-100MHz
6. Common Mode Rejection:  
-35dB Min @1-100MHz  
-20dB Min @50-150MHz
7. HIPOT TEST:1500Vrms 1mA.Max

## Schematics



Champyang International Ltd., Co

A0	RELEASED	Allen	2020-06-05
REV	DESCRIPTION.	APPD.	Date

FILE NO : ARJ10 ( Series)		TITLE 圖名		10/100Base		UNIT 單位	mm inch
TOLERANCE(公差): 0.000 mm ± 0.075 mm 0.00 mm ± 0.15 mm 0.0 mm ± 0.25 mm		PART NO. 料號		ARJ10-T7		SCALE 比例	1:1
		DRAWN BY 製圖	Ben	DATE 日期	2020-06-05	REV. 版本	A0
		CHECKED BY 審核	Allen	DATE 日期	2020-06-05		