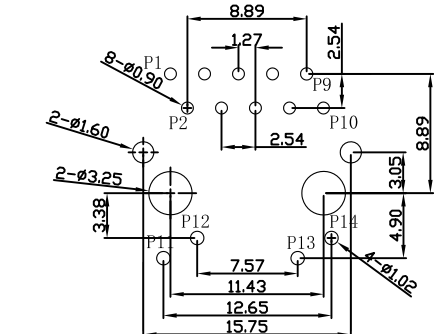
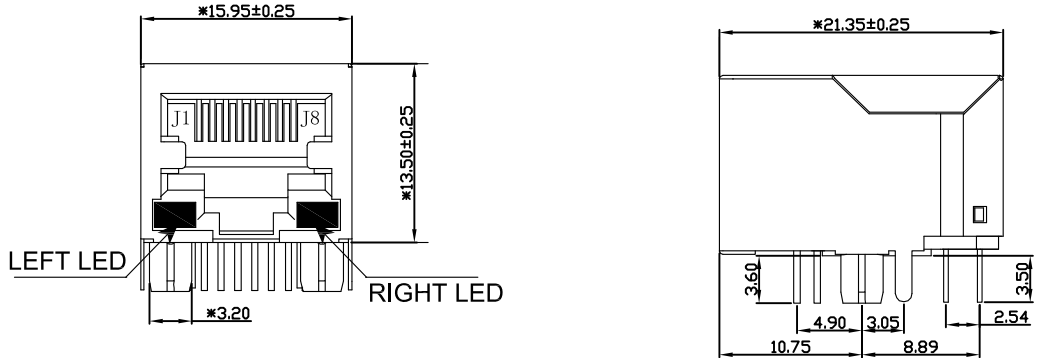
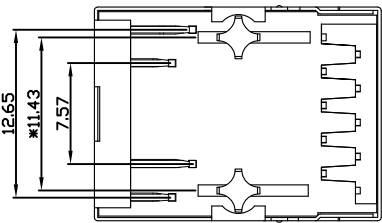


MECHANICAL :



P. C. B RECOMMENDED HOLE LAYOUT SEEN FROM COMPONENT SIDE.
ALL CENTERLINE DIMENSIONS ARE BASIC



Metal Shell : Copper Alloy, Finish: 30u" Nickel
 Housing : Thermoplastic,PBT,UL 94V-0,Black
 Insert : Thermoplastic,PBT,UL 94V-0,Black
 Contact Terminal/phosphor Bronze
 6u" Gold on Contact Area, 100u" Tin on Solder,
 Both over 50u" Nickel Under-Plated
 Coil Base : Phenolic,PBT,UL 94V-0,Black
 Terminal/Copper Alloy T=0.35mm Thickness

Meets or exceeds IEEE 802.3 standard for 10/100/1000 Base-TX
 350uH minimum OCL with 8mA Bias current
 Available with or without LEDs
 Minimum 1500Vrms isolation per IEEE802.3 requirement
 Operating temperature 0°c to +70°c
 Storage temperature -40°c to +85°c

| LED ELECTRICAL CHARACTERISTIC | |
|-------------------------------|------------------------------|
| Green 11-12 LEFT LED | Yellow 14-13 RIGHT LED |

| Standard LED | Wavelength | Forward V (Min/Max) | Forward A | Type |
|--------------|------------|---------------------|-----------|------------|
| Green | 568nm | 1.8V/2.8V | 20mA | squareness |
| Yellow | 585nm | 1.8V/2.8V | 20mA | squareness |
| Orange | 610nm | 1.8V/2.8V | 20mA | squareness |

 Champyang International Ltd., Co

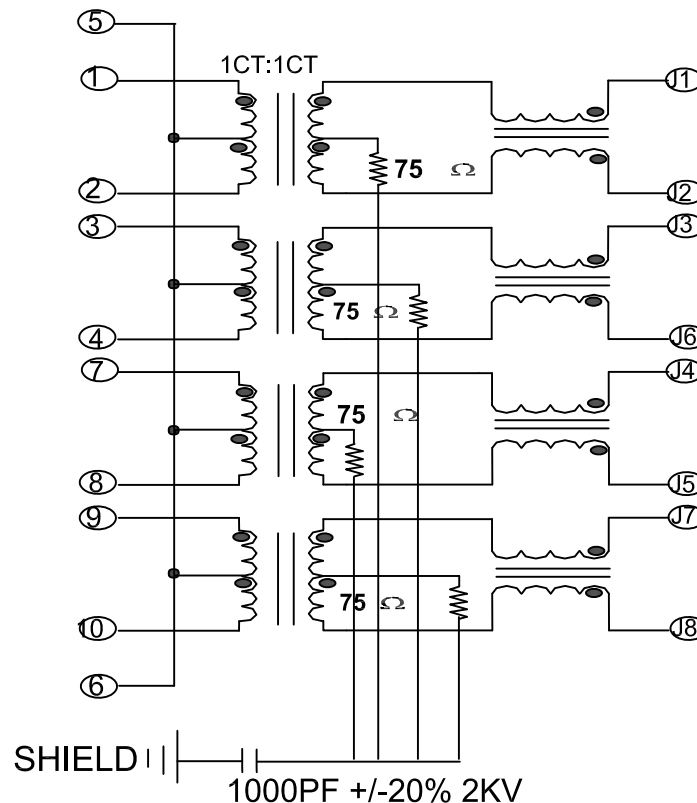
| | | | |
|-----|--------------|-------|------------|
| | | | |
| A0 | RELEASED | Allen | 2020-03-25 |
| REV | DESCRIPTION. | APPD. | Date |

| | | | | | | | |
|--|--|----------------|--|--|--|-------------|---|
| FILE NO : ARJ10(Series) | | TITLE 圖名 | | RJ45 Connector With Transformer With LED 1000Base Tab-down 1x1 Port | | UNIT 單位 | mm inch |
| TOLERANCE(公差): 0.000 mm ± 0.075 mm 0.00 mm ± 0.15 mm 0.0 mm ± 0.25 mm | | PART NO. 料號 | | ARJ10-011010-321-SOL21T3-A | | SCALE 比例 | 1:1 |
| DRAWN BY 製圖 | | Ben | | DATE 日期 | | 2020-03-25 | REV. 版本 |
| CHECKED BY 審核 | | Allen | | DATE 日期 | | 2020-03-25 |  |

ELECTRICAL SPECIFICATIONS@25°C UNLESS OTHERWISE NOTED:

- 1.Turn Ratio(+/-2%):1CT:1CT
- 2.Inductance OCL:
350uH Min @100KHz 0.1V DC BIAS 8mA
- 3.Insertion Loss:
-1.0dB Max @1.0-100MHz
- 4.Return Loss:
-20dB Min @1-30MHz
-16dB Min @30-60MHz
-12dB Min @60-80MHz
- 5.Cross talk:
-40dB Min @1-30MHz
-35dB Min @30-80MHz
- 6.Common Mode Rejection:
-35dB Min @1-100MHz
-20dB Min @50-150MHz
- 7.HIPOT TEST:1500Vrms 1mA.Max

SCHEMATICS :



Champyang International Ltd., Co

| | | | |
|-----|--------------|-------|------------|
| | | | |
| A0 | RELEASED | Allen | 2019-04-23 |
| REV | DESCRIPTION. | APPD. | Date |

| | | | | | | | |
|--|--|----------------|--|--|------------|-------------|------------|
| FILE NO : ARJ10 (Series) | | TITLE 圖名 | | RJ45 Connector With Transformer With LED 1000Base Tab-down 1x1 Port | | UNIT 單位 | mm inch |
| TOLERANCE(公差): 0.000 mm ± 0.075 mm 0.00 mm ± 0.15 mm 0.0 mm ± 0.25 mm | | PART NO. 料號 | | ARJ10-T3 | | SCALE 比例 | 1:1 |
| DRAWN BY 製圖 | | Ben | | DATE 日期 | 2019-04-22 | REV. 版本 | A0 |
| CHECKED BY 審核 | | Allen | | DATE 日期 | 2019-04-23 | | |