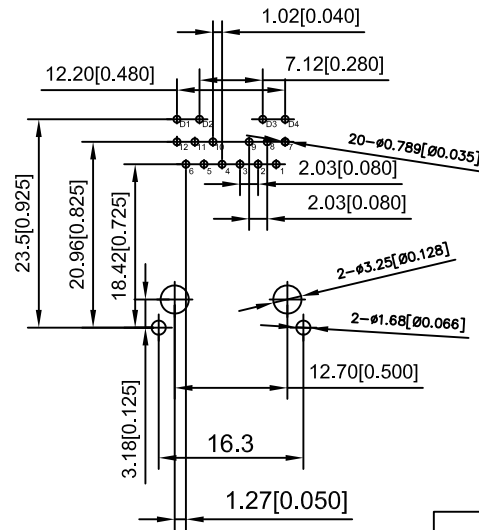
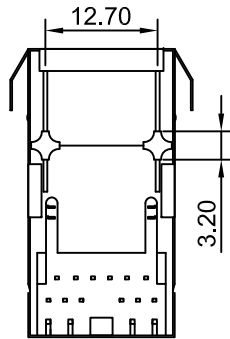
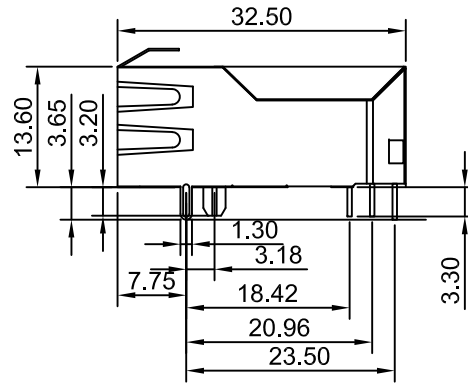
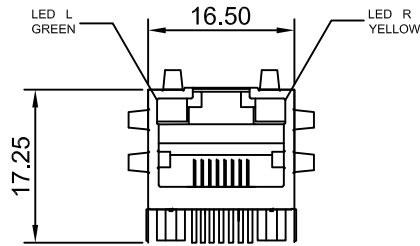
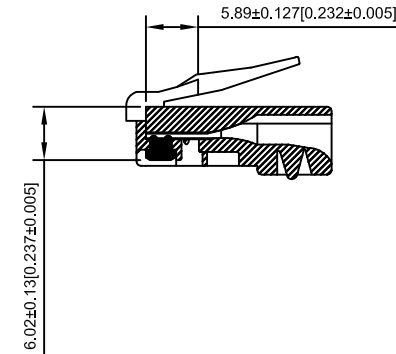


**MECHANICAL:**



Metal Shell :Copper Alloy,Finish:30u" Nickel  
 Housing :Thermoplastic,PBT,UL94V-0,Black  
 Insert :Thermoplastic,PBT,UL94V-0,Black  
 Contact Terminal/phosphor Bronze  
 6u" Gold on Contact Area,100u" Tin on Solder,  
 Both over 50u" Nickel Under-Plated  
 Coil Base :Phenolic,PBT, UL94V-0,Black  
 Terminal/Copper Alloy T=0.35mm Thickness

Meets or Exceeds IEEE 802.3 an 10G Base-TX  
 150uH minimum OCL with 18mA Bias current  
 Available with or without LEDs  
 Operating temperature 0°C to +70°C  
 Storage temperature -40°C to +85°C



LED ELECTRICAL CHARACTERISTIC				
Standard LED	Wavelength	Forward V (Min/Max)	Forward A	Type
				GREEN D1-D2 LEFT LED
Green	568nm	1.8V/2.8V	20mA	squareness
Yellow	585nm	1.8V/2.8V	20mA	squareness
Orange	610nm	1.8V/2.8V	20mA	squareness



**Champyang International Ltd., Co**

REV	DESCRIPTION.	APPD.	Date
A0	RELEASED	Allen	2019-11-01

FILE NO : ARJ11 ( Series)		TITLE 圖名		RJ45 Connector With Transformer 10G Tab-UP 1*1 Port with LED		UNIT 單位	mm inch
TOLERANCE(公差): 0.000 mm ± 0.10 mm 0.00 mm ± 0.25 mm 0.0 mm ± 0.30 mm		PART NO. 料號		ARJ11-010812-321-S3L2TA-B		SCALE 比例	1 : 1
DRAWN BY 製圖		Ben	DATE 日期	2019-11-01	REV. 版本	A0	
CHECKED BY 審核		Allen	DATE 日期	2019-11-01			

L K J I H

SCHEMATICS:

**ELECTRICAL SPECIFICATIONS @ 25°C:**

1. DC CURRENT/VOLTAGE RAGTNG PSE PINS 1A MAX @50-58VDC

2. L.C.R @25°C:

2.1 PRIMARY INDUCTANCE(OCL):

T1~T4:150uH Min. @100KHz/100m VRMS,18mA DC BIAS

2.2 TURNS RATIO:

PRIMACY:SECONDARY 1CT:1CT±2%

2.3 DCR: T1~T4:< 2ohm

3. HIGH FRENQENCY(Unit:dB)

3.1 IL(INSERTION LOSS)

0.1-1 MHz,> -1.5dB

1-65 MHz,> -0.5dB

65-125 MHz,> -0.8dB

125-400 MHz,> -1.7dB

400-500 MHz,> -3.4dB

3.2 RL(RETURN LOSS):

1-100 MHz,< -22dB

100-200 MHz,< -24dB+20.75\*Log(Freq MHz/100MHz)dB

300 MHz,< -15dB

400 MHz,< -12.5dB

500 MHz,< -10dB

3.3 CROSS TALK(NEXT):

1-100 MHz,< -42dB(-47dB Typ.)

100-500 MHz,< -26dB(-32dB Typ.)

3.4 COMMON MODE ATTENUATION(CDMR):

1-100 MHz,< -30dB

100-300 MHz,< -25dB

300-500 MHz,< -20dB

3.5 COMMON TO DIFFERENTIAL MODE CONVERSION(CDMR):

1-100 MHz,< -35dB

100-300 MHz,< -30dB

300-500 MHz,< -27dB

4. HI-POT: (P1-P12) VS (J1-J8): 2250VDC 3S

The schematic diagram illustrates the electrical connections between the LAN CHIP SIDE (P7-P12) and the RJ CABLE SIDE (J1-J8). It features three transformer units, each labeled '1CT:1CT'. The primary windings are connected to P7, P8, P9, P10, P11, and P12. The secondary windings are connected to J1, J2, J3, J4, J5, J6, J7, and J8. The diagram also shows three resistors connected to the bottom of the transformer units, labeled 'R1', 'R2', and 'R3'. The resistors are connected to the bottom of the transformer units and are labeled 'R1', 'R2', and 'R3'.

Champyang International Ltd., Co

FILE NO : ARJ11 ( Series )		TITLE 圖名		RJ45 Connector With Transformer 10G Tab-UP 1*1 Port with LED		UNIT 單位	mm inch
TOLERANCE(公差): 0.000 mm ± 0.10 mm 0.00 mm ± 0.25 mm 0.0 mm ± 0.30 mm		PART NO. 料號		ARJ11-010812-321-S3L2TA-B		SCALE 比例	1 : 1
		DRAWN BY 製圖		Ben	DATE 日期	2019-11-01	REV. 版本
		CHECKED BY 審核		Allen	DATE 日期	2019-11-01	

NO REV	DESCRIPTION.	APPD.	Date
	RELEASED	Allen	2019-11-01

Page : 2 of 2

3  
2  
1

4  
5  
6

A B C D