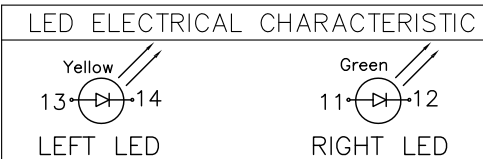
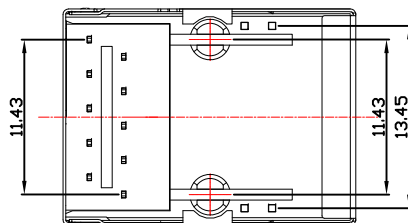
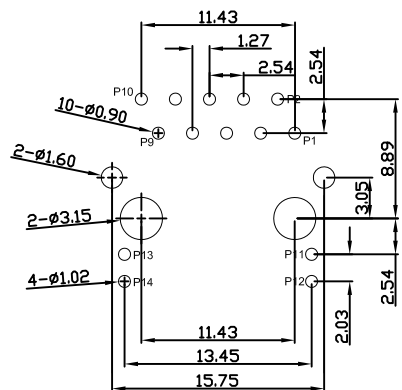
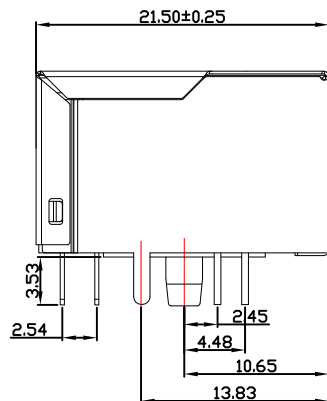
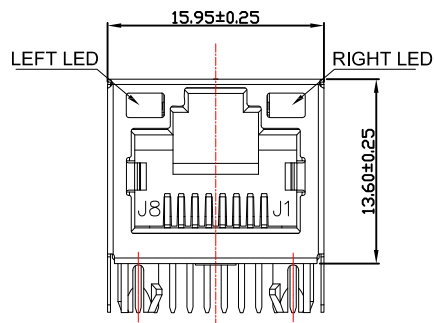


MECHANICAL :

Metal Shell : Copper Alloy, Finish: 30u" Nickel
 Housing : Thermoplastic, PBT, UL 94V-0, Black
 Insert : Thermoplastic, PBT, UL 94V-0, Black
 Contact Terminal/phosphor Bronze
 6u" Gold on Contact Area, 100u" Tin on Solder,
 Both over 50u" Nickel Under-Plated
 Terminal/Copper Alloy T=0.35mm Thickness

Meets or exceeds IEEE 802.3 standard for 10/100 Base-TX
 350uH minimum OCL with 8mA Bias current
 Available with or without LEDs
 Minimum 1500Vrms isolation per IEEE802.3 requirement
 Operating temperature 0°C to +70°C
 Storage temperature -40°C to +85°C



Standard LED	Wavelength	Forward V (Min/Max)	Forward A	Type
Green	568nm	1.8V/2.8V	20mA	squareness
Yellow	585nm	1.8V/2.8V	20mA	squareness
Orange	610nm	1.8V/2.8V	20mA	squareness

 Champyang International Ltd., Co

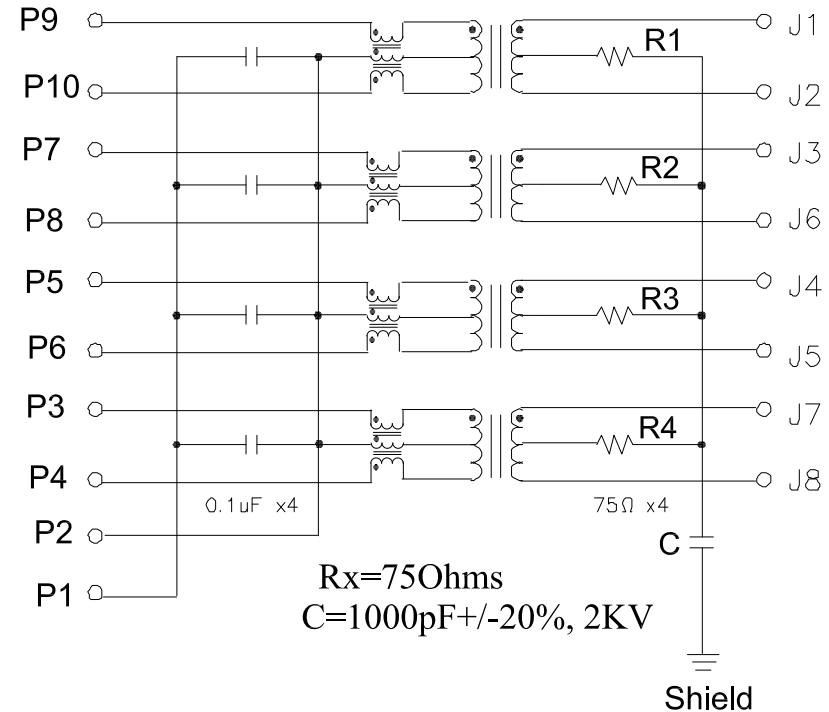
REV	DESCRIPTION.	APPD.	Date
A0	RELEASED	Allen	2018-08-02

FILE NO : ARJ11 (Series)	TITLE 圖名	RJ45 Connector With Transformer 1000Base Tab-up 1x1 Port with LED		UNIT 單位	mm inch
TOLERANCE(公差): 0.000 mm ± 0.075 mm 0.00 mm ± 0.15 mm 0.0 mm ± 0.25 mm	PART NO. 料號	ARJ11-011010-X21-SOL1T1		SCALE 比例	1:1
	DRAWN BY 製圖	Kiddy	DATE 日期	2018-08-02	REV. 版本
	CHECKED BY 審核	Allen	DATE 日期	2018-08-02	

ELECTRICAL SPECIFICATIONS@25°C UNLESS OTHERWISE NOTED:

1. Turn Ratio(+/-2%):1CT:1CT
2. Inductance OCL:
350uH Min @100KHz 0.1V DC BIAS 8mA
3. Insertion Loss:
-1.0dB Max @1.0-100MHz
4. Return Loss:
-20dB Min @1-30MHz
-16dB Min @30-60MHz
-12dB Min @60-80MHz
5. Cross talk:
-40dB Min @1-30MHz
-35dB Min @30-80MHz
6. Common Mode Rejection:
-35dB Min @1-100MHz
-20dB Min @50-150MHz
7. HIPOT TEST:1500Vrms 1mA.Max

T1 SCHEMATICS:



Champyang International Ltd., Co

A0	RELEASED	Allen	2018-08-02
REV	DESCRIPTION.	APPD.	Date

FILE NO : ARJ11(Series)		TITLE 圖名		RJ45 Connector With Transformer 1000Base Tab-up 1x1 Port		UNIT 單位	mm inch
TOLERANCE(公差): 0.000 mm ± 0.075 mm 0.00 mm ± 0.15 mm 0.0 mm ± 0.25 mm		PART NO. 料號		ARJ09-011010-X21-SOL1T1		SCALE 比例	1:1
		DRAWN BY 製圖		Kiddy	DATE 日期	2018-08-02	REV. 版本
		CHECKED BY 審核		Allen	DATE 日期	2018-08-02	