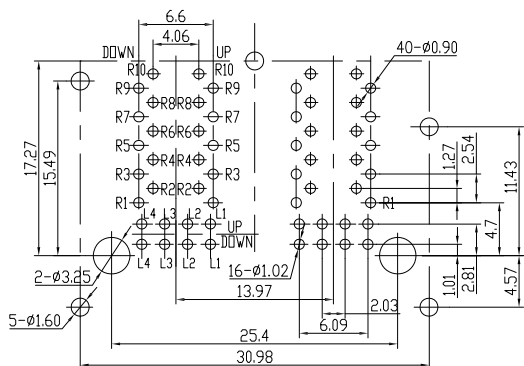
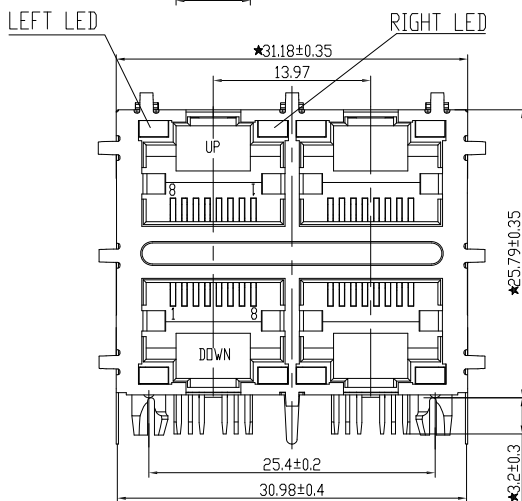
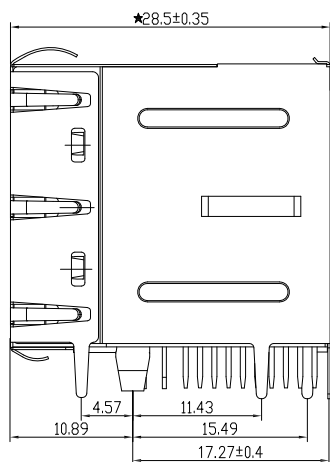
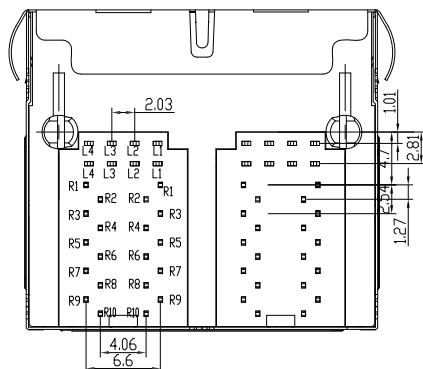


MECHANICAL :



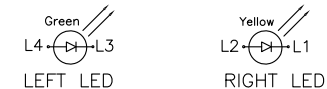
PCB BOARD LAYOUT



Metal Shell :Copper Alloy, Finish: 30u" Nickel
 Housing :Thermoplastic,PBT,UL 94V-0,Black
 Insert :Thermoplastic,PBT,UL 94V-0,Black
 Contact Terminal/phosphor Bronze
 6u" Gold on Contact Area, 100u" Tin on Solder,
 Both over 50u" Nickel Under-Plated
 Coil Base :Phenolic,PBT,UL 94V-0,Black
 Terminal/Copper Alloy T=0.35mm Thickness

Meets or exceeds IEEE 802.3 standard for 10/100/1000 Base-TX
 350uH minimum OCL with 8mA Bias current
 Available with or without LEDs
 Minimum 1500Vrms isolation per IEEE802.3 requirement
 Operating temperature 0°C to +70°C
 Storage temperature -40°C to +85°C

LED ELECTRICAL CHARACTERISTIC



Standard LED	Wavelength	Forward V (Min/Max)	Forward A	Type
Green	568nm	1.8V/2.8V	20mA	squareness
Yellow	585nm	1.8V/2.8V	20mA	squareness
Orange	610nm	1.8V/2.8V	20mA	squareness



Champyang International Ltd., Co

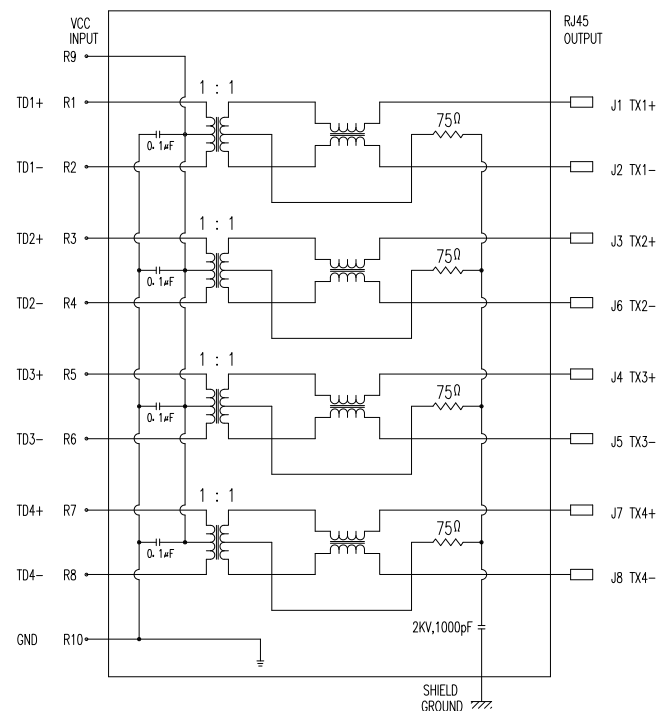
1				
A0	RELEASED	Allen	2019-02-02	
REV	DESCRIPTION.	APPD.	Date	

FILE NO :	ARJ12 (Series)	TITLE	RJ45 Connector With Transformer 1000Base Tab-up 2x2 Port with LED		UNIT	mm
TOLERANCE(公差):	0.000 mm ± 0.075 mm 0.00 mm ± 0.15 mm 0.0 mm ± 0.25 mm	PART NO.	ARJ12-040810-X21-S3L2T1		SCALE	1:1
		DRAWN BY	Kiddy	DATE	2019-02-01	REV.
		CHECKED BY	Allen	DATE	2019-02-01	A.0

ELECTRICAL SPECIFICATIONS@25°C UNLESS OTHERWISE NOTED:

1. Turn Ratio(+/-2%):1CT:1CT
2. Inductance OCL:
350uH Min @100KHz 0.1V DC BIAS 8mA
3. Insertion Loss:
-1.0dB Max @1.0-100MHz
4. Return Loss:
-20dB Min @1-30MHz
-16dB Min @30-60MHz
-12dB Min @60-80MHz
5. Cross talk:
-40dB Min @1-30MHz
-35dB Min @30-80MHz
6. Common Mode Rejection:
-35dB Min @1-100MHz
-20dB Min @50-150MHz
7. HIPOT TEST:1500Vrms 1mA.Max

SCHEMATICS:



Champyang International Ltd., Co

A0	RELEASED	Allen	2019-02-02
REV	DESCRIPTION.	APPD.	Date

FILE NO : ARJ12(Series)		TITLE 圖名		RJ45 Connector With Transformer 1000Base Tab-up 2x2 Port With LED		UNIT 單位	mm inch
TOLERANCE(公差): 0.000 mm ± 0.075 mm 0.00 mm ± 0.15 mm 0.0 mm ± 0.25 mm		PART NO. 料號		ARJ12-040810-X21-S3L2T1		SCALE 比例	1:1
		DRAWN BY 製圖		Kiddy	DATE 日期	2019-02-01	REV. 版本
		CHECKED BY 審核		Allen	DATE 日期	2019-02-01	