

SPECIFICATION NOTES:

ELECTRICAL:

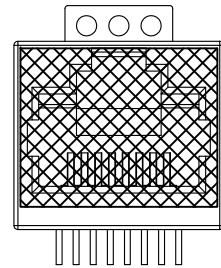
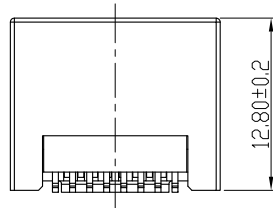
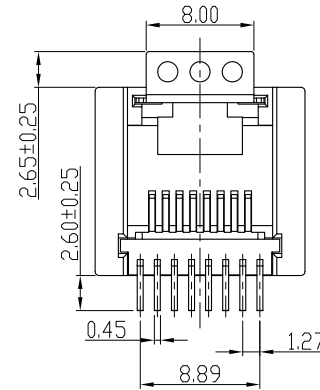
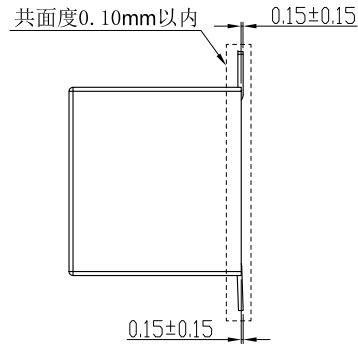
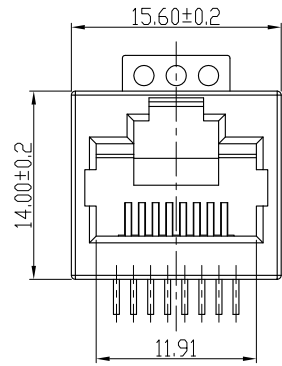
1. VOLTAGE RATING: 125 VAC RMS
2. CURRENT RATING: 1.5 AMP
3. CONTACT RESISTANCE: 30mΩ MAX.
4. INSULATION RESISTANCE: 500MΩMIN. AT 500V DC.
5. DIELECTRIC STRENGTH: 1000 VAC 50Hz 1MINUTE

MECHANICAL:

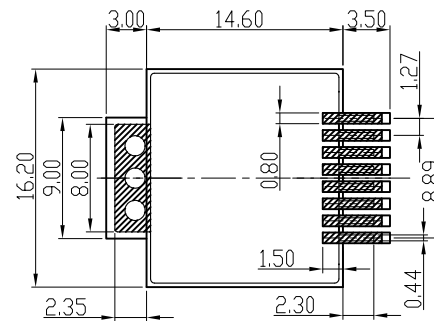
1. HOUSING /INSERT MATERIAL:
THERMOPLASTIC, LCP UL94V-0.COLOR BLACK
2. CONTACT MATERIAL:PHOSPHOR BRONZE T=0.35MM
3. PLATING:GOLD PLATING OVER NICKEL, PLATED NICKEL 30-50". SN 100-120U. GOLD PLATED ON CONTENT AREA FU/3U/6U/15U/30U/50U"
4. OPERATING LIFE:750 CYCLES MIN.

ENVIRONMENTAL:

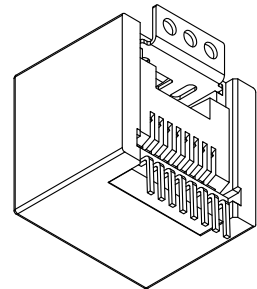
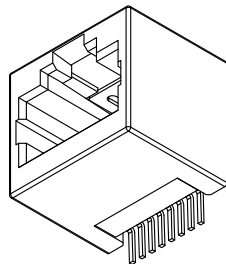
1. STORAGE:-40° C TO +85° C
2. OPERATION: -40° C TO +85° C



贴麦拉图示



PCB LAYOUT/TOP VIEW
TOLERANCE=± 0.05



Champyang International Ltd., Co

REV	DESCRIPTION.	APPD.	Date
A0	RELEASED	Allen	2019-02-18

FILE NO : ARJ13(Series)
TOLERANCE(公差): 0.000 mm ± 0.075 mm 0.00 mm ± 0.15 mm 0.0 mm ± 0.25 mm

TITLE 圖名	RJ45 8P8C SIDE ENTRY TAB DOWN, ROUND PIN			UNIT 單位	mm inch
PART NO. 料號	ARJ13-010808-241-M			SCALE 比例	1:1
DRAWN BY 製圖	Kiddy	DATE 日期	2019-02-18	REV. 版本	A0
CHECKED BY 審核	Allen	DATE 日期	2019-02-18		