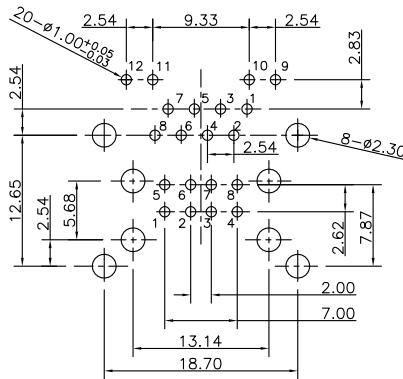
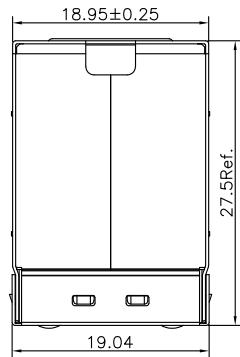
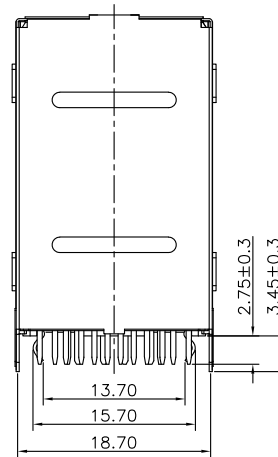
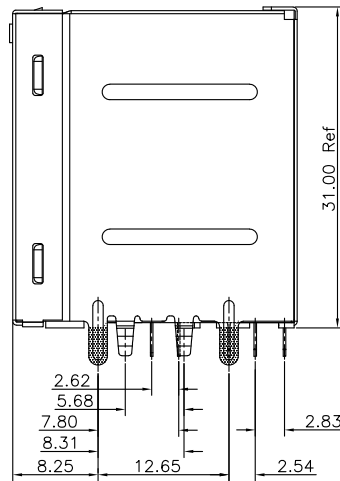
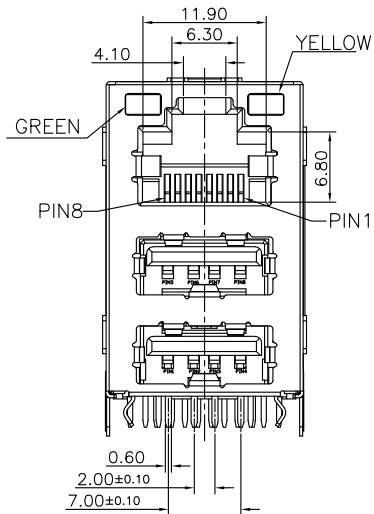


**MECHANICAL:**



RECOMMENDED P.C.B. PATTERN LAYOUT  
COMPONENT SIDE SHOWN



**SPECIFICATION NOTES:**

ELECTRICAL:

- VOLTAGE RATING: 125 VAC RMS
- CURRENT RATING: 1.5 AMP
- CONTACT RESISTANCE: 30mΩ MAX.
- INSULATION RESISTANCE: 500MΩMIN. AT 500V DC.
- DIELECTRIC STRENGTH: 1000 VAC 50Hz 1MINUTE

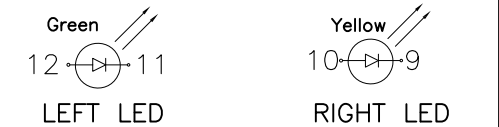
MECHANICAL:

- SHIELD: Iron Alloy T=0.2MM, Finish: 30u" Nickel
- HOUSING /INSERT MATERIAL: THERMOPLASTIC, PBT UL94V-0,COLOR BLACK
- CONTACT MATERIAL: PHOSPHOR BRONZE T=0.35MM
- PLATING: GOLD PLATING OVER NICKEL, PLATED NICKEL 30-50U". SN 100-120U. GOLD PLATED ON CONTACT AREA 1U/3U/6U/15U/30U/50U"
- OPERATING LIFE: 750 CYCLES MIN.

ENVIRONMENTAL:

- STORAGE: -40° C TO +85° C
- OPERATION: 0° C TO 75° C

LED ELECTRICAL CHARACTERISTIC



Standard LED	Wavelength	Forward V (Min/Max)	Forward A	Type
Green	568nm	1.8v/2.8v	20mA	squareness
Yellow	585nm	1.8v/2.8v	20mA	squareness



**Champyang International Ltd., Co**

AO	RELEASED	Allen	2021-01-07
REV	DESCRIPTION.	APPD.	Date

FILE NO : ARJ14 (Series)		TITLE 圖名		RJ+雙層USB2.0帶燈無彈 左綠右黃 扁針 鍍金6u		UNIT 單位	mm inch
TOLERANCE(公差): 0.000 mm ± 0.075 mm 0.00 mm ± 0.15 mm 0.0 mm ± 0.25 mm		PART NO. 料號		ARJ14-0308U2-121-SOL2		SCALE 比例	1:1
		DRAWN BY 製圖		Ben	DATE 日期	2021-01-07	REV. 版本
		CHECKED BY 審核		Allen	DATE 日期	2021-01-07	