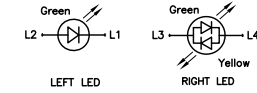
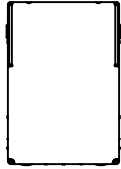


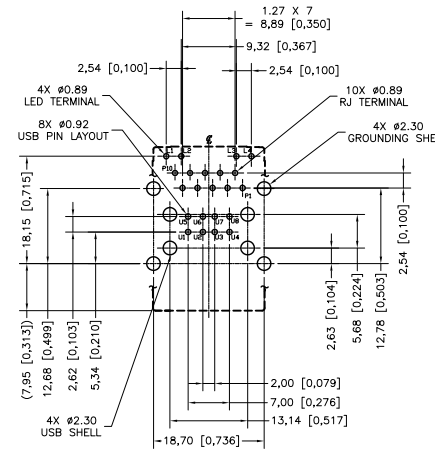
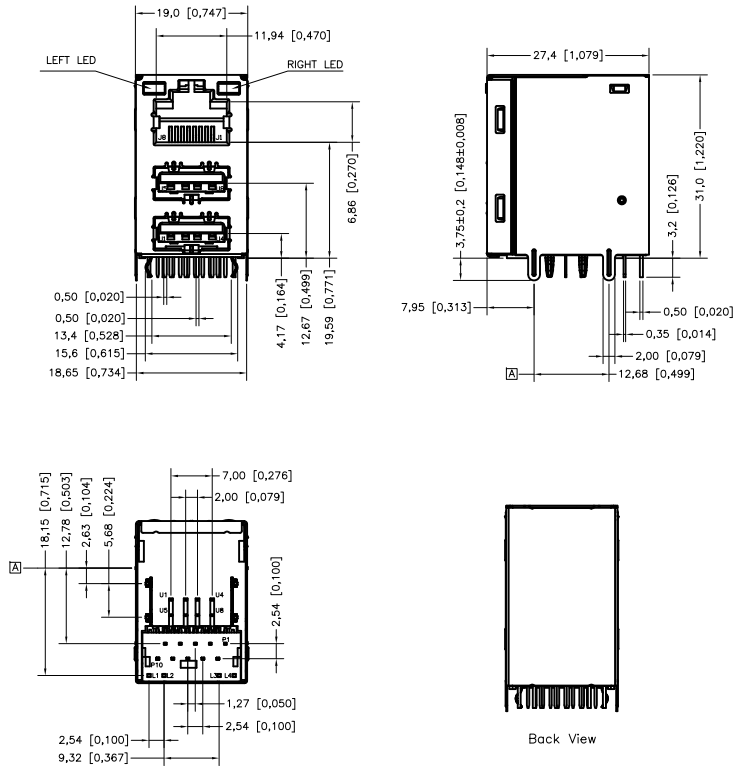
MECHANICAL :



Emitting Color	λp (nm)	Vf @If=20mA	Ir @Vr=5V
Green	565	1.7V~2.6V	10μA max.
Yellow	585	1.7V~2.6V	10μA max.
Orange	610	1.7V~2.6V	10μA max.

SPECIFICATIONS :

- MATERIAL
  - HOUSING&SPACER&RJ BASE : THERMOPLASTIC, PA66 UL 94V-0, BLACK
  - MODULE CASE : THERMOPLASTIC, UL 94V-0, BLACK
  - LIGHT PIPE : PC UL 94V-0, TRANSPARENT
  - RJ CONTACTS : BRASS
    - PLATING : 30U" GOLD ON CONTACT AREA, 100U" MIN TIN PLATING ON SOLDER TAILS, 30U"MIN NICKEL OVERALL
  - SOLDER TAIL TERMINAL : BRASS, PLATING : 100U" TIN MIN 30U"MIN NICKEL OVERALL
  - MODULE TERMINAL : SPCC, PLATING : 100U" TIN MIN OVER 50U" NICKEL OVERALL
  - SHIELD : STAINLESS, THICKNESS=0.2MM, PRE-SOLDERING
- RJ45 SPECIFICATIONS
  - INSULATION RESISTANCE : 500 MOHMS MIN
  - INSERTION FORCE WITH THE LATCH DEPRESSED :22N MAX
  - REMOVAL FORCE WITH THE LATCH DEPRESSED :44N MAX
  - DURABILITY :750 CYCLES
- USB SPECIFICATIONS
  - INSERTION FORCE :35N MAX
  - REMOVAL FORCE :10N MIN
  - DURABILITY :1500 CYCLES
  - INSULATION RESISTANCE : 100MOHMS MIN
  - DIELECTRIC WITHSTANDING VOLTAGE : 100 VAC FOR 1 MINUTE
- OPERATING AND STORAGE TEMPERATURE
  - OPERATING TEMPERATURE : 0°C TO +70°C
  - STORAGE TEMPERATURE : -40°C TO +85°C



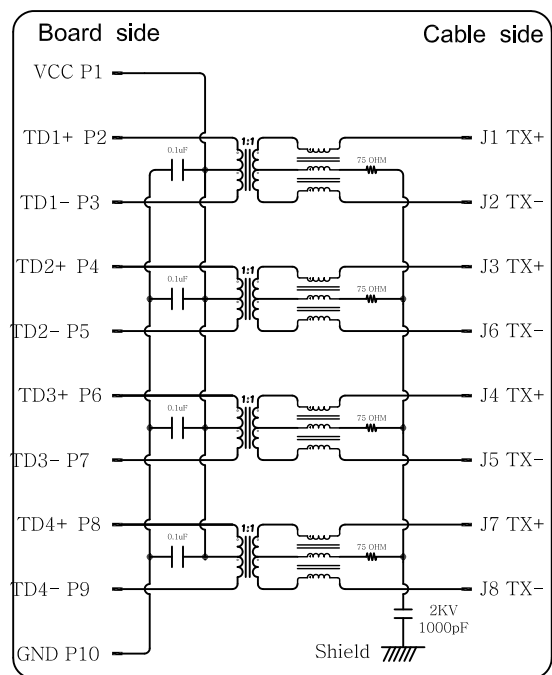
RECOMMENDED PCB LAYOUT  
COMPONENT SIDE PCB THICKNESS : 1.60mm  
ALL DIMENSION TOLERANCE ARE ±0.05 UNLESS OTHERWISE SPECIFIED



Champyang International Ltd., Co

				FILE NO : ARJ14( Series)	TITLE 圖名	RJ45+USB 2.0 Connector With Transformer 1000Base, 3x1 Port		UNIT 單位	mm inch	
				TOLERANCE(公差): 0.000 mm ± 0.075 mm 0.00 mm ± 0.15 mm 0.0 mm ± 0.25 mm	PART NO. 料號	ARJ14-0310U2-521-SOLDT2-A		SCALE 比例	1 : 1	
A0	RELEASED	Allen	2019-05-30		DRAWN BY 製圖	Ben	DATE 日期	2019-05-30	REV. 版本	A0
REV	DESCRIPTION.	APPD.	Date		CHECKED BY 審核	Allen	DATE 日期	2019-05-30		
A	B	C		D		Page: 1 of 2				

SCHEMATIC FOR RJ45:



ELECTRICAL CHARACTERISTICS :

1. INSERTION LOSS :
  - 1~100 MHz -1.0dB MAX.
2. RETURN LOSS(LOAD 100Ω) :
  - 1~30 MHz -18dB MIN
  - 30~60 MHz -16dB MIN
  - 60~80 MHz -12dB MIN
  - 80~100 MHz -10dB MIN
3. COMMON MODE REJECTION
  - 1~100 MHz -30dB MIN
4. CROSS TALK
  - 1~100 MHz -30dB MIN
5. INDUCTANCE @ 100KHz, 0.1V, 8mA DC BIAS
  - (P2-P3),(P4-P5),(P6-P7),(P8-P9) : 350 uH MIN
6. DCR
  - (J1-J2),(J3-J6),(J4-J5),(J7-J8) : 1.2 ohm MAX
7. HI-POT TEST
  - BAORD SIDE TO CABLE SIDE : 1500VAC 60S OR 2250VDC 60S
8. TURNS RATION 100KHz
  - (P2-P3) : (J1-J2) = 1:1 ±%5
  - (P4-P5) : (J3-J6) = 1:1 ±%5
  - (P6-P7) : (J4-J5) = 1:1 ±%5
  - (P8-P9) : (J7-J8) = 1:1 ±%5



Champyang International Ltd., Co

A0	RELEASED	Allen	2019-05-30
REV	DESCRIPTION.	APPD.	Date

FILE NO : ARJ14 ( Series)		TITLE 圖名		RJ45+USB 2.0 Connector With Transformer 1000Base, 3x1 Port		UNIT 單位	mm inch
TOLERANCE(公差): 0.000 mm ± 0.075 mm 0.00 mm ± 0.15 mm 0.0 mm ± 0.25 mm		PART NO. 料號		ARJ14-0310U2-521-SOLDT2-A		SCALE 比例	1:1
		DRAWN BY 製圖		Ben	DATE 日期	2019-05-30	REV. 版本
		CHECKED BY 審核		Allen	DATE 日期	2019-05-30	A0