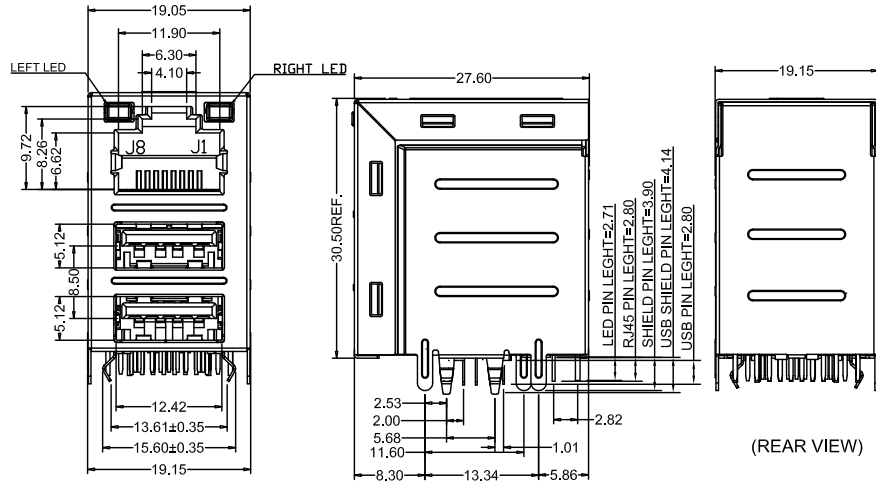


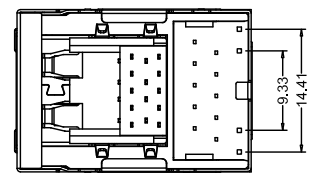
MECHANICAL :



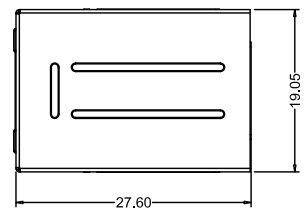
(FRONT VIEW)

(SIDE VIEW)

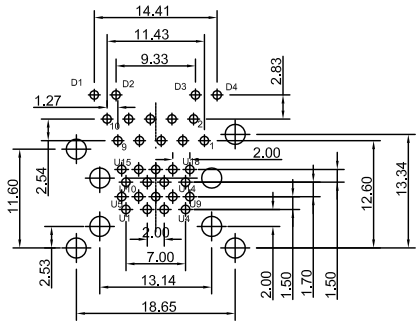
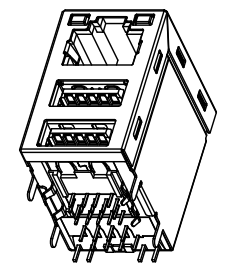
(REAR VIEW)



(BOTTOM VIEW)



(TOP VIEW)

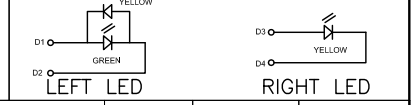


RECOMMENDED P.C.B. PATTERN LAYOUT
TOP VIEW (ALL TOLERANCE ARE:0.05mm)

Metal Shell :Copper Alloy, Finish: 30u" Nickel
 Housing :Thermoplastic,PBT,UL 94V-0,Black
 Insert :Thermoplastic,PBT,UL 94V-0,Black
 Contact Terminal/phosphor Bronze
 6u" Gold on Contact Area, 100u" Tin on Solder,
 Both over 50u" Nickel Under-Plated
 Coil Base :Phenolic,PBT,UL 94V-0,Black
 Terminal/Copper Alloy T=0.35mm Thickness

Meets or exceeds IEEE 802.3 standard for 10/100 Base-TX
 350uH minimum OCL with 8mA Bias current
 Available with or without LEDs
 Minimum 1500Vrms isolation per IEEE802.3 requirement
 Operating temperature 0°c to +70°c
 Storage temperature -40°c to +85°c

LED ELECTRICAL CHARACTERISTIC



Standard LED	Wavelength	Forward V (Min/Max)	Forward A	Type
Green	568nm	1.8v/2.8v	20mA	squareness
Yellow	585nm	1.8v/2.8v	20mA	squareness
Orange	610nm	1.8v/2.8v	20mA	squareness



Champyang International Ltd., Co

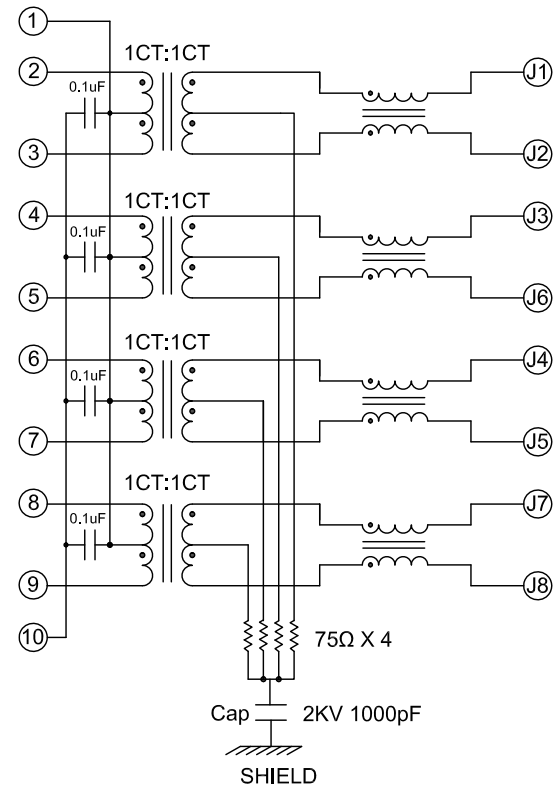
FILE NO :	ARJ14(Series)	TITLE	RJ45+USB 3.0 Connector With Transformer 1000Base, 3x1 Port	UNIT	mm inch
TOLERANCE(公差):	0.000 mm ± 0.075 mm 0.00 mm ± 0.15 mm 0.0 mm ± 0.25 mm	PART NO.	ARJ14-0310U3-321-SOLET2	SCALE	1 : 1
A0	RELEASED	Allen	2019-05-30	REV.	A0
REV	DESCRIPTION.	APPD.	Date	CHECKED BY	Allen

DATE	2019-05-30	DATE	2019-05-30
DATE	2019-05-30	DATE	2019-05-30

ELECTRICAL SPECIFICATIONS@25°C UNLESS OTHERWISE NOTED:

1. Turn Ratio(+/-2%):1CT:1CT
2. Inductance OCL:
350uH Min @100KHz 0.1V DC BIAS 8mA
3. Insertion Loss:
-1.0dB Max @1.0-100MHz
4. Return Loss:
-20dB Min @1-30MHz
-16dB Min @30-60MHz
-12dB Min @60-80MHz
5. Cross talk:
-40dB Min @1-30MHz
-35dB Min @30-80MHz
6. Common Mode Rejection:
-35dB Min @1-100MHz
-20dB Min @50-150MHz
7. HIPOT TEST:1500Vrms 1mA.Max

SCHEMATICS :



Champyang International Ltd., Co

A0	RELEASED	Allen	2019-05-30
REV	DESCRIPTION.	APPD.	Date

FILE NO : ARJ14 (Series)		TITLE 圖名		RJ45+USB 3.0 Connector With Transformer 1000Base, 3x1 Port		UNIT 單位	mm inch
TOLERANCE(公差): 0.000 mm ± 0.075 mm 0.00 mm ± 0.15 mm 0.0 mm ± 0.25 mm		PART NO. 料號		ARJ14-0310U3-321-S0LET2		SCALE 比例	1:1
DRAWN BY 製圖		Ben		DATE 日期		2019-05-30	
CHECKED BY 審核		Allen		DATE 日期		2019-05-30	