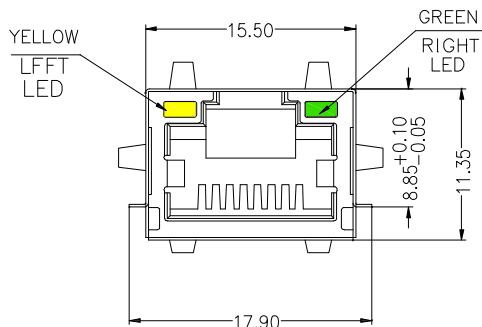
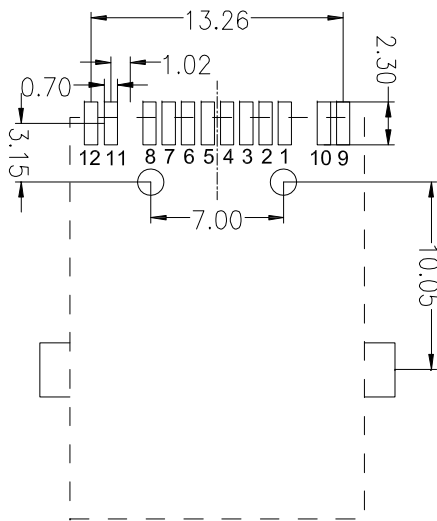
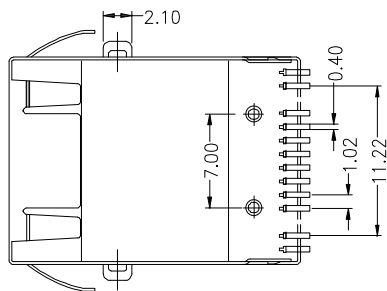
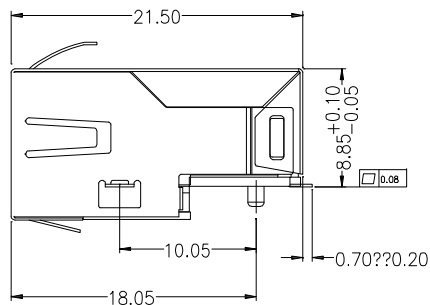


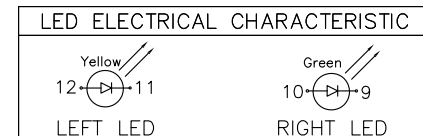
MECHANICAL:



P.C.B RECOMMENDED HOLE LAYOUT SEEN FROM COMPONENT SIDE.
ALL CENTERLINE DIMENSIONS ARE BASIC

Metal Shell : Copper Alloy, Finish: 30u" Nickel
 Housing : Thermoplastic, LCP, UL 94V-0, Black
 Insert : Thermoplastic, LCP, UL 94V-0, Black
 Contact Terminal/phosphor Bronze
 6u" Gold on Contact Area, 100u" Tin on Solder,
 Both over 50u" Nickel Under-Plated
 Coil Base : Phenolic, LCP, UL 94V-0, Black
 Terminal/Copper Alloy T=0.35mm Thickness

Meets or exceeds IEEE 802.3 standard for 10/100 Base-TX
 350uH minimum OCL with 8mA Bias current
 Available with or without LEDs
 Minimum 1500Vrms isolation per IEEE802.3 requirement
 Operating temperature 0°C to +70°C
 Storage temperature -40°C to +85°C



Standard LED	Wavelength	Forward V (Min/Max)	Forward A	Type
Green	568nm	1.8V/2.8V	20mA	squareness
Yellow	585nm	1.8V/2.8V	20mA	squareness
Orange	610nm	1.8V/2.8V	20mA	squareness



Champyang International Ltd., Co

REV	DESCRIPTION.	APPD.	Date
A0	RELEASED	Allen	2018-08-02

FILE NO : ARJ15 (Series)	TITLE 圖名	RJ45 Connector With Transformer 100Base Tab-up 1x1 Port with LED		UNIT 單位	mm inch	
TOLERANCE(公差): 0.000 mm ± 0.075 mm 0.00 mm ± 0.15 mm 0.0 mm ± 0.25 mm	PART NO. 料號	ARJ15-010808-341-S3L1T1-S		SCALE 比例	1:1	
	DRAWN BY 製圖	Ben	DATE 日期	2018-08-02	REV. 版本	A.0
	CHECKED BY 審核	Allen	DATE 日期	2018-08-02		

ELECTRICAL SPECIFICATIONS@25°C UNLESS OTHERWISE NOTED:

1.Turn Ratio(+/-2%):1CT:1CT

3.Insertion Loss:
-1.0dB Max @1.0-100MHz

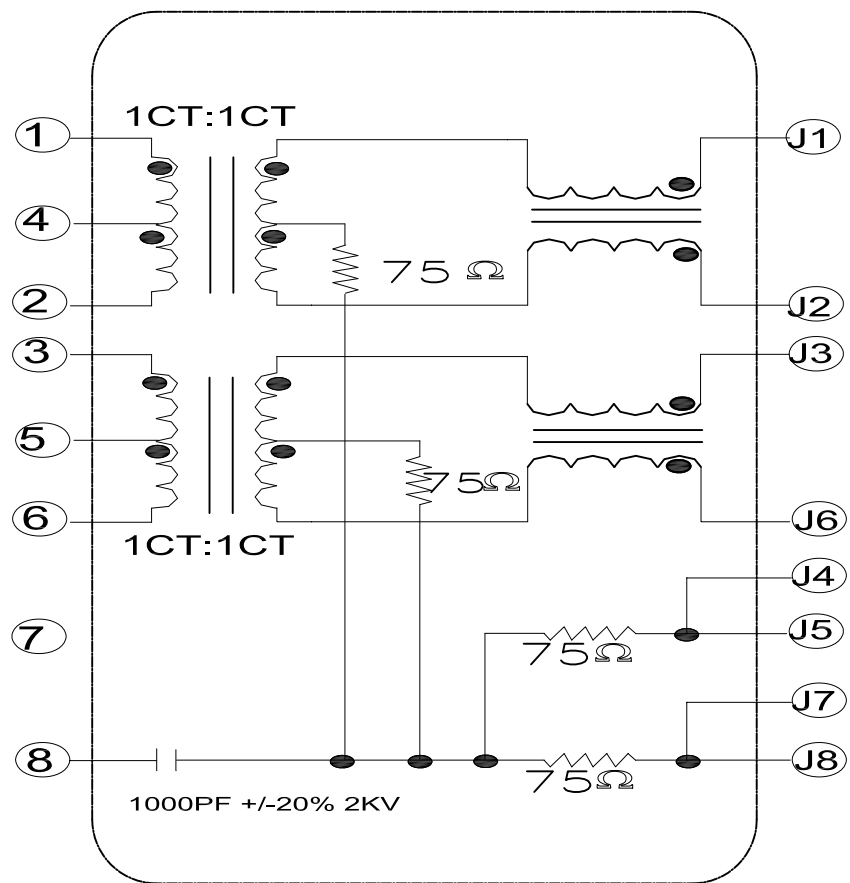
4.Return Loss:
-20dB Min @1-30MHz
-16dB Min @30-60MHz
-12dB Min @60-80MHz

5.Cross talk:
-40dB Min @1-30MHz
-35dB Min @30-80MHz

6.Common Mode Rejection:
-35dB Min @1-100MHz
-20dB Min @50-150MHz

7.HIPOT TEST:1500Vrms 1mA.Max

SCHEMATICS:



Champyang International Ltd., Co

REV	A0	RELEASED	Allen	2019-03-21
REV		DESCRIPTION.	APPD.	Date

FILE NO : ARJ15(Series)		TITLE 圖名		RJ45 Connector With Transformer 100Base Tab-up 1x1 Port with LED		UNIT 單位	mm inch
TOLERANCE(公差): 0.000 mm ± 0.075 mm 0.00 mm ± 0.15 mm 0.0 mm ± 0.25 mm		PART NO. 料號		ARJ15-010808-341-S3L1T1-S		SCALE 比例	1:1
		DRAWN BY 製圖		Ben	DATE 日期	2019-03-21	REV. 版本
		CHECKED BY 審核		Allen	DATE 日期	2019-03-21	