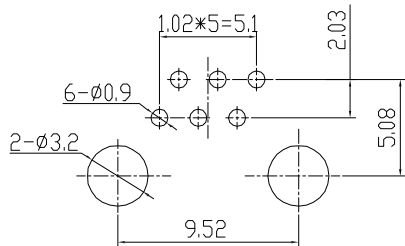
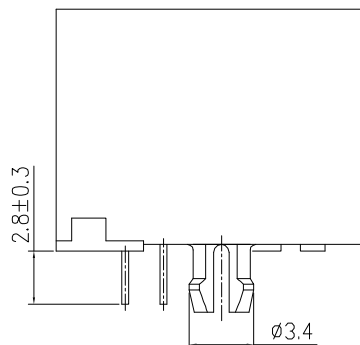
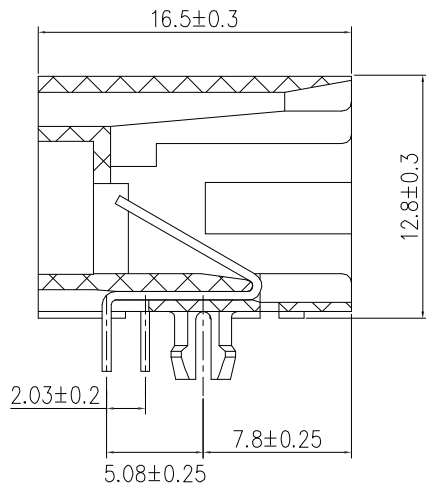
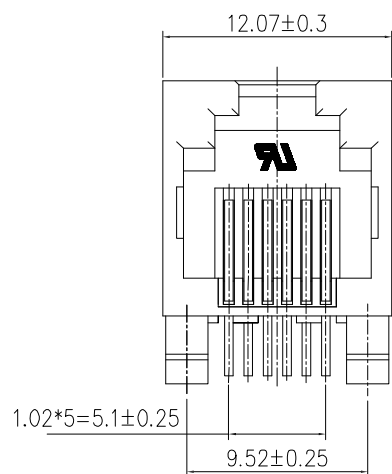
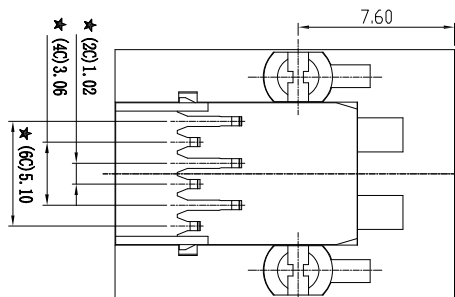


MECHANICAL:



PCB LAYOUT  
TOLERANCES: ±0.05



SPECIFICATION NOTES:

ELECTRICAL:

- VOLTAGE RATING: 125 VAC RMS
- CURRENT RATING: 1.5 AMP
- CONTACT RESISTANCE: 30mΩ MAX.
- INSULATION RESISTANCE: 500MΩMIN. AT 500V DC.
- DIELECTRIC STRENGTH: 1000 VAC 50Hz 1MINUTE

MECHANICAL:

- HOUSING/INSERT MATERIAL:  
THERMOPLASTIC, UL94V-0, PBT COLOR BLACK  
CONTACT: COPPER ALLOY, T=0.35mm
- PLATING: GOLD PLATING OVER NICKEL, PLATED NICKEL 50-80". SN 100-120U. GOLD PLATED ON CONTACT AREA 3U"
- OPERATING LIFE: 750 CYCLES MIN.

ENVIRONMENTAL:

- STORAGE: -40° C TO +85° C
- OPERATION: -40° C TO +85° C



Champyang International Ltd., Co

AO	RELEASED	Allen	2020-07-31
REV	DESCRIPTION.	APPD.	Date

FILE NO : ARJ22 ( Series)		TITLE 圖名		Unshielded RJ11 Jack, Through Hole Type, 1X1 Ports		UNIT 單位	mm inch
TOLERANCE(公差): 0.000 mm ± 0.10 mm 0.00 mm ± 0.25 mm 0.0 mm ± 0.30 mm		PART NO. 料號		ARJ22-010606-221-A		SCALE 比例	1:1
		DRAWN BY 製圖		Ben	DATE 日期	2020-07-31	REV. 版本
		CHECKED BY 審核		Allen	DATE 日期	2020-07-31	A.0