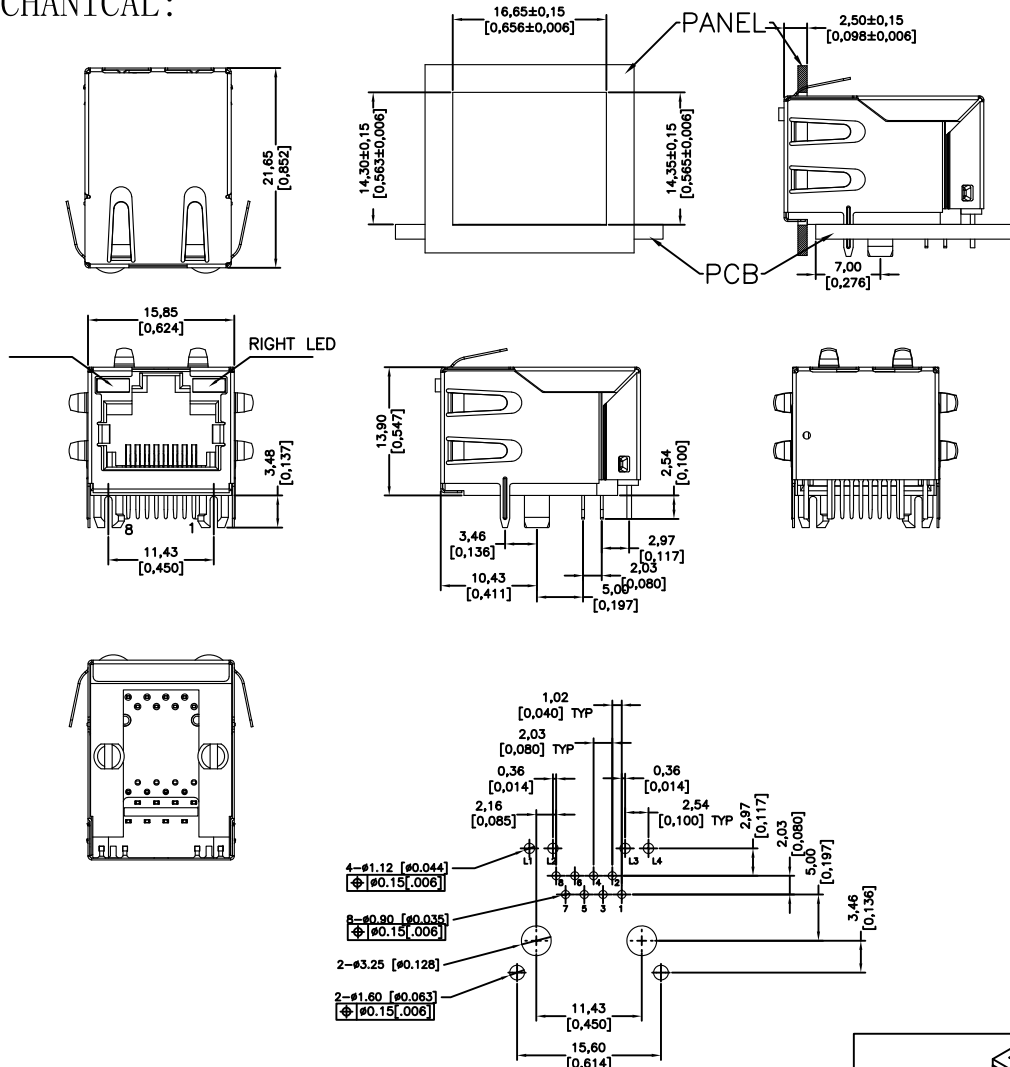


MECHANICAL :



RECOMMENDED PCB LAYOUT (COMPONENT SIDE VIEW) TOLERANCE: ±0.05 [0.002]



- 1. SHIELD: STAINLESS STEEL. WITH TIN-DIP ON SOLDER TABS.
- 2. HOUSING: HIGH TEMP THERMOPLASTIC. UL 94V-0
- 3. CONTACT: COPPER ALLOY
6U" GOLD PLATING FOR MATING SURFACE.
50u" NICKEL UNDERPLATE
100u" MATTE TIN PLATING ON CONTACT SOLDER TAIL.

ENVIRONMENTAL :

- 1. STORAGE: -40°C TO +85°C
- 2. OPERATION: -40°C TO +85°C
- MATES WITH MODULAR PLUG CONFORMING TO TIA-1096 STANDARD.

ELECTRICAL :

- 1. VOLTAGE RATING: 125 VAC
- 2. CURRENT RATING: 1.25 AMP
- 3. INSULATION RESISTANCE: 500 MEGAOHMS MIN
- 4. DIELECTRIC STRENGTH: 1000 VAC RMS 60Hz, 1 MIN
- 5. CATEGORY 6A CHARACTERISTIC:

Frequency MHz	Near-End Cross talk dB, Min	Return Loss dB, Min	Insertion loss dB, Max
1.0	75.0	30.0	0.10
4.0	75.0	30.0	0.10
8.0	75.0	30.0	0.10
10.0	74.0	30.0	0.10
16.0	69.9	30.0	0.10
20.0	68.0	30.0	0.10
25.0	66.0	30.0	0.10
31.25	64.1	30.0	0.11
62.5	58.1	30.0	0.16
100.0	54.0	28.0	0.20
200.0	48.0	22.0	0.28
250.0	46.0	20.0	0.32
300.0	42.9	18.5	0.35
400.0	37.9	16.0	0.40
500.0	34.0	14.0	0.45



Champyang International Ltd., Co

FILE NO : ARJ29(Series)

TITLE
圖名

Shielded RJ45 Modular Jack, Cat6 A
Single Port, TAB -UP, With LEDs

UNIT
單位
mm
inch

TOLERANCE(公差):
0.000 mm ± 0.10 mm
0.00 mm ± 0.25 mm
0.0 mm ± 0.30 mm

PART NO.
料號
DRAWN BY
製圖
CHECKED BY
審核

ARJ29-010808-341-S3L2-C6A
Ray
DATE
日期
2021-02-24
DATE
日期
2021-02-24

SCALE
比例
1:1
REV.
版本
A0

A0	RELEASED	Allen	2021-02-24
REV	DESCRIPTION.	APPD.	Date