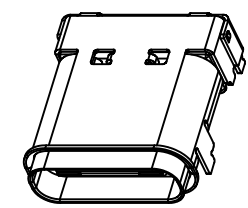
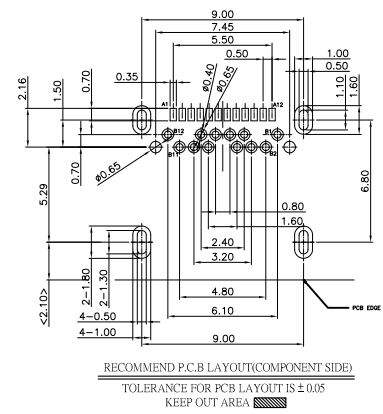


Pin	Signal Name	Mating Sequence	Pin	Signal Name	Mating Sequence
A1	GND	First	B12	GND	First
A2	SSTXp1	Second	B11	SSRXp1	Second
A3	SSTXn1	Second	B10	SSRXn1	Second
A4	Vbus	First	B9	Vbus	First
A5	CC1	Second	B8	SBU2	Second
A6	Dp1	Second	B7	Dn2	Second
A7	Dn1	Second	B6	Dp2	Second
A8	SBU1	Second	B5	CC2	Second
A9	Vbus	First	B4	Vbus	First
A10	SSRXp2	Second	B3	SSTXn2	Second
A11	SSRXp2	Second	B2	SSTXp2	Second
A12	GND	First	B1	GND	First
SHELL	GND		SHELL	GND	



NOTE:

- MATERIAL:
  - INSULATOR: HIGH TEMPERATURE PLASTIC UL 94 V-0;
  - CONTACT: COPPER ALLOY(T=0.15mm)
  - SHELL:STAINLESS STEEL(T=0.20mm)
- ELECTRICAL CHARACTERISTICS;
  - CONTACT RESISTANCE: 40mΩ Max FOR INITIAL. 10mΩ CHANGE AFTER TEST. MEASURE AT 20mV, 100mA.
  - CONTACT CURRENT RATING: 5A FOR VBUS PIN; 1.25A FOR VCONN PIN.
  - DIELECTRIC WITHSTANDING VOLTAGE: 100V AC R.M.S.
  - INSULATION RESISTANCE 100MΩ Min
  - OPERATING TEMPERATURE: -40°C ~ 85°C
- MECHANICAL CHARACTERISTICS:
  - MATING FORCE: 5~20 N.
  - UNMATED FORCE: 8~20N AFTER TEST
  - DURABILITY: 10,000 CYCLES
- PLATING
  - TERMINAL CONTACT: (SEE TAB) GOLD PLATING ALL OVER 50u" Min NICKEL AND 80u"Min Tin ALL OVER 50u" Min NICKEL ON SOLDER AREA
  - OUT SHELL: 50u" Min. NICKEL ALL OVER
  - INNER SHELL: DEGREASE



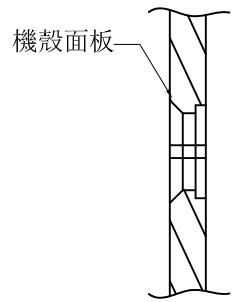
Champyang International Ltd., Co

AO	RELEASED	Allen	2019-07-01
REV	DESCRIPTION.	APPD.	Date

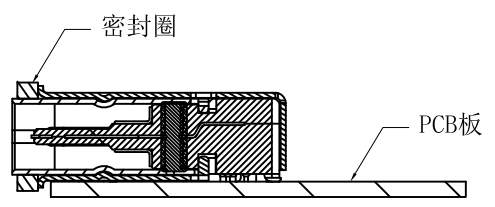
FILE NO : AUC02 ( Series)		TITLE 圖名		USB 3.1 CF WATERPROOF CL1.75 H3.46mm DIP TYPE		UNIT 單位	mm inch
TOLERANCE(公差): 0.000 mm ± 0.10 mm 0.00 mm ± 0.20 mm 0.0 mm ± 0.30 mm		PART NO. 料號		AUC02-0124-F41-SD-WP		SCALE 比例	1:1
		DRAWN BY 製圖		Ben	DATE 日期	2019-07-01	REV. 版本
		CHECKED BY 審核		Allen	DATE 日期	2019-07-01	A.0

L K J I H

3



機殼面板

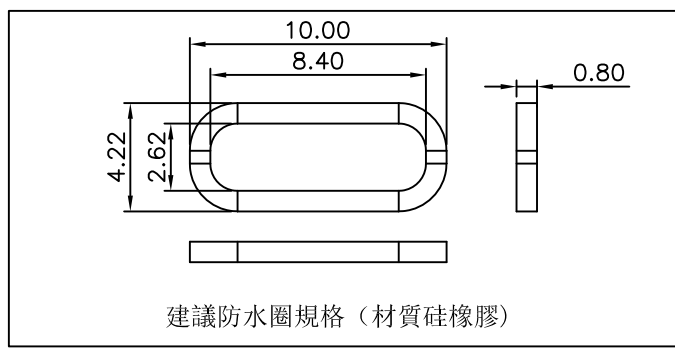


密封圈

PCB板

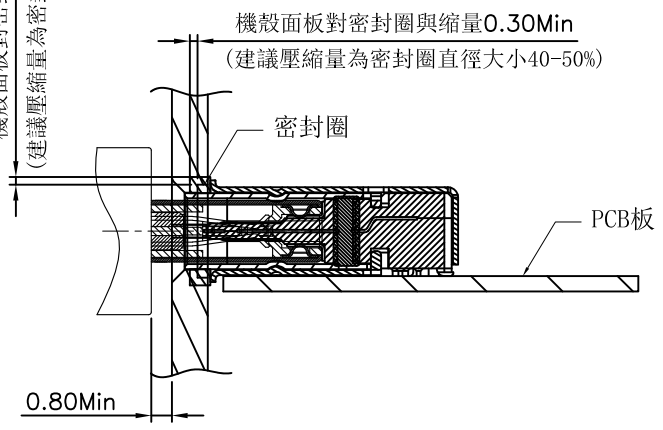
組裝方式，左右方向組裝

機殼面板對密封圈與縮量0.30Min  
(建議壓縮量為密封圈直徑大小40-50%)



建議防水圈規格 (材質硅橡膠)

2



機殼面板對密封圈與縮量0.30Min  
(建議壓縮量為密封圈直徑大小40-50%)

密封圈

PCB板

0.80Min

組裝面板後公母對插示意圖

1



Champyang International Ltd., Co

AO	RELEASED	Allen	2019-07-01
REV	DESCRIPTION.	APPD.	Date

FILE NO : AUC02 ( Series)		TITLE 圖名		USB 3.1 CF WATERPROOF CL1.75 H3.46mm DIP TYPE		UNIT 單位	mm inch
TOLERANCE(公差): 0.000 mm ± 0.10 mm 0.00 mm ± 0.20 mm 0.0 mm ± 0.30 mm		PART NO. 料號		AUC02-0124-x41-SD-WP		SCALE 比例	1:1
		DRAWN BY 製圖		Ben	DATE 日期	2019-07-01	REV. 版本
		CHECKED BY 審核		Allen	DATE 日期	2019-07-01	A.0