

NOTE:

1. MATERIAL SPECIFICATION:
 1. HOUSING: HIGH TEMPERATURE RESISTANT PLASTIC, UL94 V-0.
 2. CONTACTS: COPPER ALLOY
 3. MID PLATE: STAINLESS STEEL
 4. FRONT SHELL: STAINLESS STEEL
2. PLATING SPECIFICATION:
 - 2-1. CONTACTS:
 - Ni 50u" MIN. UNDER PLATED OVER ALL.
 - Au PLATED ON THE FUNCTIONAL AREA OF CONTACT.
 - (GOLD PLATING THICKNESS FOLLOW THE P/N)
 - PLATING SPECIFICATIONS OF THE SOLDER AREA FOLLOW THE P/N
 - 2-2. FRONT SHELL:
 - SEE TABLE 1.
 - 2-3. SHIELD PLATE & EMI PLATE:
 - CLEAR ONLY
3. MECHANICAL PERFORMANCE,
 - 3-1. INSERTION FORCE: 0.5~2.0kgf.
 - 3-2. REMOVAL FORCE: 0.8kgf~2.0kgf.
 - 3-3. DURABILITY: 10000 CYCLES.
4. ELECTRICAL PERFORMANCE,
 - 4-1. CURRENT RATING: 5.0A
VOLTAGE RATING: 5.0V
 - 4-2. LLCR:
 - VBUS & GND PINS AND OTHER PINS: 40mΩ/PIN MAX.
 - SHIELD: 50mΩ/MAX.
 - LLCR MAX. CHANGE OF ALL PINS: 10mΩ.
 - 4-3. INSULATION RESISTANCE: 100MΩ MIN
 - 4-4. DIELECTRIC WITHSTAND VOLTAGE, AC 100V FOR 1 MINUTE.
5. ENVIRONMENTAL PERFORMANCE:
 - OPERATING TEMPERATURE: -25°C~+85°C.
6. IR REFLOW:
 - THE PEAK TEMPERATURE ON THE BOARD SHALL BE MAINTAINED FOR 10 SECONDS AT 260°C.



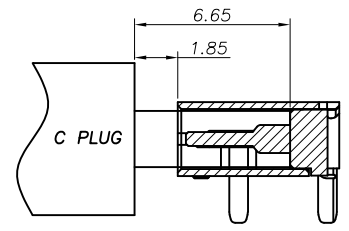
Champyang International Ltd., Co

AO	RELEASED	Allen	2019-11-18
REV	DESCRIPTION.	APPD.	Date

FILE NO : AUC03 (Series)		TITLE 圖名		USB C F 6PIN SMT CONN		UNIT 單位	mm inch
TOLERANCE(公差): 0.000 mm ± 0.075 mm 0.00 mm ± 0.15 mm 0.0 mm ± 0.25 mm		PART NO. 料號		AUC03-0106-x41-S-1		SCALE 比例	1:1
		DRAWN BY 製圖		Ben	DATE 日期	2019-11-18	REV. 版本
		CHECKED BY 審核		Allen	DATE 日期	2019-11-18	

L K J I H

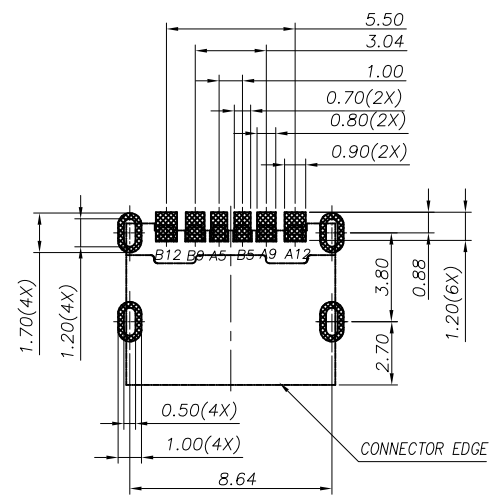
3



AFTER MATING

PIN ASSIGNMENTS

A5	CC1	B12	GND
A9	VBUS	B9	VBUS
A12	GND	B5	CC2
PIN	SIGNAL NAME	PIN	SIGNAL NAME



RECOMMENDED PCB LAYOUT(TOP VIEW)
 THICKNESS 1.6±0.10MM;DEFAULT TOLERANCE:±0.05

2



Champyang International Ltd., Co

1

	RELEASED	Allen	2019-11-18
REV	DESCRIPTION.	APPD.	Date

FILE NO : AUC03 (Series)	TITLE 圖 名	USB C F 6PIN SMT CONN		UNIT 單位	mm inch	
TOLERANCE(公差): 0.000 mm ± 0.075 mm 0.00 mm ± 0.15 mm 0.0 mm ± 0.25 mm	PART NO. 料 號	AUC03-0106-x41-S-x		SCALE 比例	1:1	
	DRAWN BY 製 圖	Ben	DATE 日期	2019-11-18	REV. 版本	A0
	CHECKED BY 審 核	Allen	DATE 日期	2019-11-18		

A

B

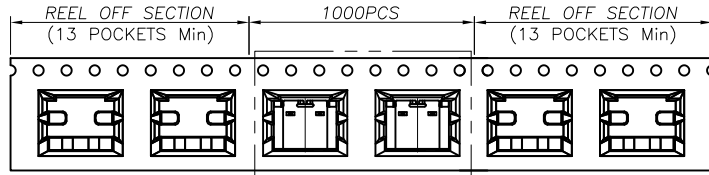
C

D

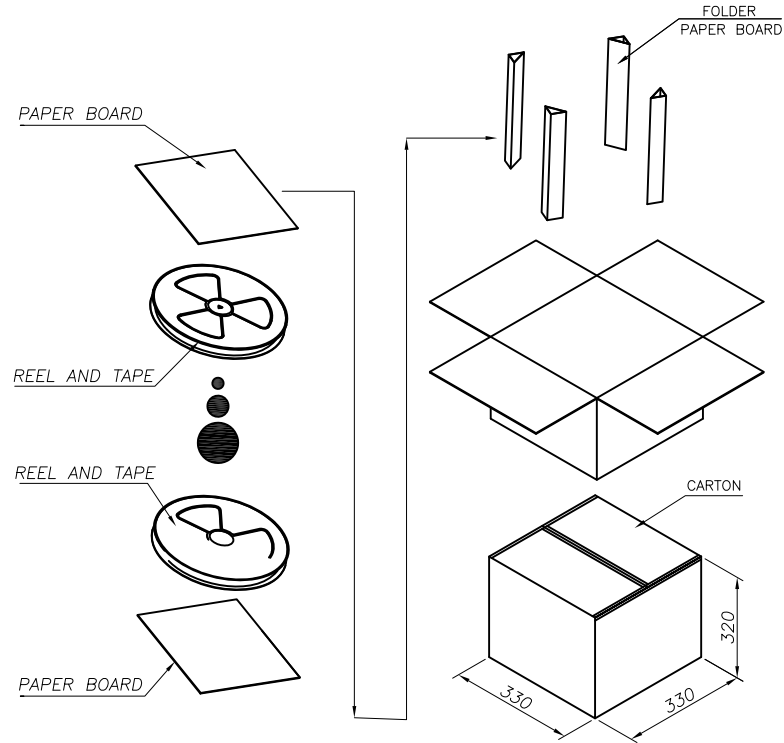
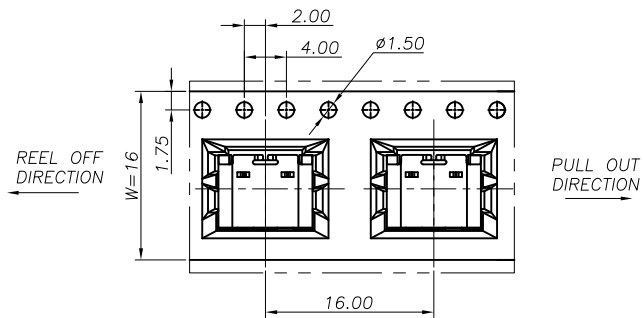
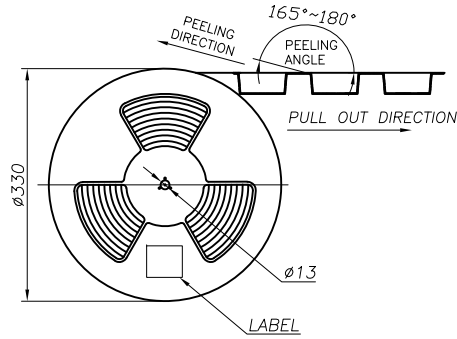
6

4

5



SEE DETAIL X



	REEL	CARTON
CONNECTOR (PCS)	1000	10000



Champyang International Ltd., Co

NO	REV	DESCRIPTION.	APPD.	Date
		RELEASED	Allen	2020-03-26

FILE NO: AUC03 (Series)	TITLE 圖名	6P TR Packing		UNIT 單位	mm inch	
TOLERANCE(公差): 0.000 mm ± 0.075 mm 0.00 mm ± 0.15 mm 0.0 mm ± 0.25 mm	PART NO. 料號	AUC03-0106-x41-S-1		SCALE 比例	1:1	
	DRAWN BY 製圖	Ben	DATE 日期	2020-03-26	REV. 版本	A0
	CHECKED BY 審核	Allen	DATE 日期	2020-03-26		