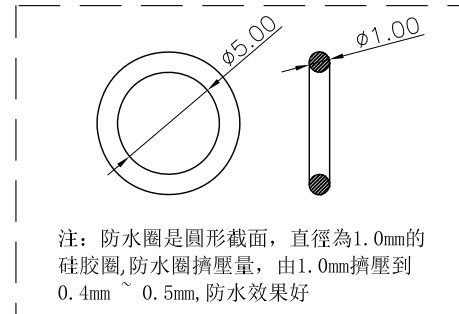
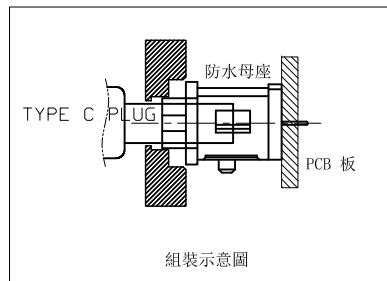
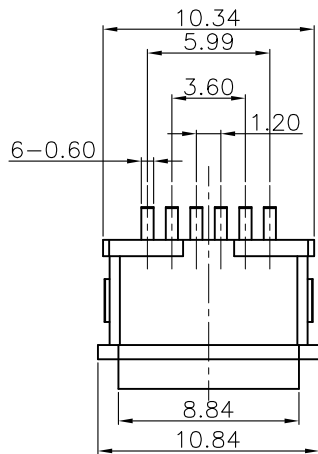
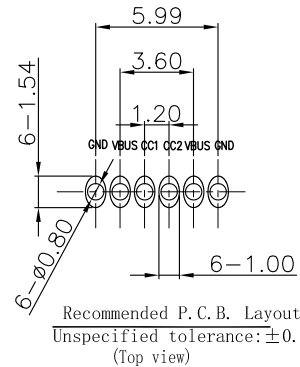
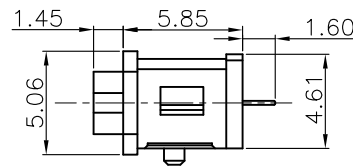
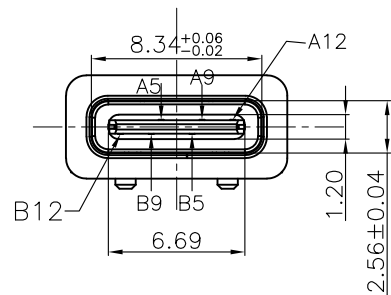


NOTES:  
SPECIFICATION:

1. CURRENT RATING: 3.0A MAX
2. DIELECTRIC WITHSTAND VOLTAGE: 100VAC
3. TEMPERATURE RANGE: -30 °C ~ 85 °C
4. CONTACT RESISTANCE: 40 MILLIONHM MAX
5. INSULATION RESISTANCE: 100 MEGOHMS MIN.
6. INSERTION FORCE : 5N~20N
7. UNMATING FORCE: 8N~20N
8. DURABILITY:5000 CYCLES



注：防水圈是圓形截面，直徑為1.0mm的  
矽膠圈，防水圈擠壓量，由1.0mm擠壓到  
0.4mm ~ 0.5mm，防水效果好



A5	CC1	B12	GND
A9	VBUS	B9	VBUS
A12	GND	B5	CC2
PIN	SIGNAL NAME	PIN	SIGNAL NAME

4	Shell1	1	SUS301 Ni Plating T=0.25mm	Ni:40~120u <sup>2</sup>
3	Housing2	1	LCP(G.F30%)	
2	Contact	5	Phosphor bronze_C5210R-EH Au/Ni Plating T=0.20mm	Ni:40~160u <sup>2</sup> Au:CONTACT AREA :3u <sup>2</sup> , OTHER AREA:G/F
1	Housing	1	PA9T (G.F30%)	
ITEM	PART NAME	Q'TY	FINISH	NOTE



Champyang International Ltd., Co

AO	RELEASED	Allen	2020-03-25
REV	DESCRIPTION.	APPD.	Date

FILE NO : AUC09 ( Series)		TITLE 圖名		TYPE-C 6PIN VERTICAL WATERPROOF		UNIT 單位	mm inch
TOLERANCE(公差): 0.000 mm ± 0.10 mm 0.00 mm ± 0.20 mm 0.0 mm ± 0.30 mm		PART NO. 料號		AUC09-0106-241-D-WP-A		SCALE 比例	1:1
		DRAWN BY 製圖		Ben	DATE 日期	2020-03-25	REV. 版本
		CHECKED BY 審核		Allen	DATE 日期	2020-03-25	A.0